



卫生管件
Sanitary fittings

国家高新技术企业 浙江省著名商标
www.cndonjoy.com



东正一直致力于技术进步，是您值得信赖的事业伙伴！
Donjoy committing to major technological advances, is your reliable business partner!

0.1	自控调节阀+控制器 Automatic control regulating valve +Control head
0.2	生物制药隔膜阀 Biopharmaceutical diaphragm valve
0.3	高洁净泵 High purity pumps
0.4	防混蝶阀+蝶阀 Mixing proof butterfly valve +Butterfly valve
0.5	球阀 Ball valve
0.6	截止换向阀+防混阀+罐底阀 Divert seat valve+Mixing proof valve +Tank bottom valve
0.7	角座阀+截止阀 Angle seat valve+Globe valve
0.8	止回阀+恒压阀+安全阀+减压阀 Check valve+constant pressure valve+safety valve +air release valve
0.9	清洁技术+取样阀+视镜+照明技术 Clean technology+sample valve+sight glass +lighting technology
0.10	过滤器+人孔 Filter+man hole cover(manway)
0.11	卫生管件 Sanitary fittings ASME BPE DIN11852 Bs4825 SMS ISO IDF 3A



注意：
目录技术资料仅供设计参考，
设计更新和技术升级恕不另行通知！

东正始终坚持以不断革新的技术、日新月异的市场发展和客户需求是当今我们面临的巨大挑战。面对这些挑战我们信心十足，因为东正高度专业化的产品和技术创新，是我们未来将以更高、更优的产品来满足不断增长的市场需求。

Technological innovation, rapid development of the market and customer needs are the greatest challenges facing us today. Facing with these challenges we are confident, because of highly professional products and technological innovation, we will meet the growing demand of market and customer with our better and better products.

法律声明：
目录样册版本属东正所有，如有抄袭东正将追究其法律责任和经济赔偿。东正已获得国家版权局书刊号。
东正众多技术设计，都具有专利保护，如有抄袭，东正必将追究法律责任和经济赔偿。

领先源于创新 创新源于专业
东正的专业与品质的邂逅源于创新的精神



现代化工厂已经投产，期待您的光临！
温州空港经济园区生产基地
Wenzhou airport economic zone production base

占地面积29000m²，总投资1.2亿元，新引进工业机器人、5轴加工中心、机器人抛光设备。

Covering an area of 29000 m², with total investment after construction is expected to 120 million yuan, introduces new industrial robot, five axis machining center, machine Polishing equipment.

东正创立于1993年，注册资金5508万，是一家专注于研发高品质PID过程控制器、阀门定位器、流量控制器，阀门控制单元，高洁净过程控制阀、智能自控阀，高洁净泵、高洁净管材和管道配件。公司高度专业化的产品和技术专注于生物制药、食品饮料、酿酒、精细化工等工业领域。东正众多的创新解决方案，对满足全球，尤其是新兴市场不断增长生物制药和食品饮料行业的需求起到了积极作用。

东正制造的产品母材料、加工技术、焊接技术、表面处理等技术指标均已达到国内外先进水平。且符合ASME BPE、EHEDG、FDA、3A等一系列国际标准和规范要求，先后通过了由德国 TÜV机构实施的欧盟承压设备指令(PED-97/23/EC)和(MD-06/42/EC)认证、美国 3A机构实施的3-A卫生标准认证、中国安全阀特种制造设备(TS)许可证和中国质量认证中心CQC ISO9001:2008 质量管理体系认证等多项国际权威认证。

东正凭借先进的技术、优异的品质和完善的售后服务体系，先后被评定为国家高新技术企业，省著名商标、省科技型企业、创新型企业、专利示范企业、研发中心企业，守合同重信用AAA企业等众多荣誉。



关于东正 About DONJOY

Donjoy was built up in 1993, with registered capital RMB 55.08 millions. We focus on developing high quality PID process controller, the valve positioner, the flow controller, the valve control unit, high purity process control valve, intelligent self-control valve, high purity pump, high purity tubing fitting and pipeline accessories. Donjoy's products and technologies are widely used in biopharmaceutical, food, drink, wine fine chemicals and other industrial fields. Donjoy's innovation solutions meet the growing demand of the industry of biopharmaceutical, food and beverage from the whole world, especially the emerging market.

Raw material, processing technology, welding technology, surface treatment from Donjoy have achieved advanced levels of domestic and foreign market. Donjoy productions according to ASME BPE, EHEDG, FDA and 3A standard, get certificate of PED-97/23/EC and MD-06/42/EC issued by TUV, 3A issued by 3A organization, TS licence and ISO9001:2008.

Donjoy with advanced technology, excellent quality and perfect after-sales service system, has been assessed as the national high-tech enterprises, the Provincial Famous Trademark, the Provincial Science and Technology Enterprises, Innovative Enterprises, Patent Model Enterprises, R & D Center, AAA Credit Enterprises.



创立于2005年现代化工厂
温州滨海经济开发区生产基地
Wenzhou binhai economic development zone production base

DONJOY high-purity valve, pump, control system, pipe and accessories, provide the most excellent solution for various business scopes.



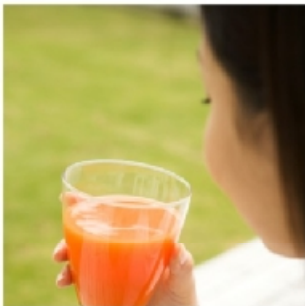
Biopharmaceutical



Dairy



Food



Beverage



Water Processing



Brewing



Fine Chemical

制造与检验 Manufacturing and testing



机器人生产线 Robot production line

全自动弯管设备 Automatic pipe bending equipment

DONJOY以科学技术是第一生产力，也是企业核心竞争力，只有不断投入核心技术研发和创新，不断追求卓越，精益求精、以先进生产设备，严格的质量管理体系，精密的生产检测流程，保证每一款产品优良的性能。

Science and technology constitute a primary productive force, also the core competitive strength of the enterprise. Continuously intensifying the research, development and innovation of core technology, pursuing prominence and keeping improving, ensuring the excellent quality and performance of every single product by advanced production equipment, strict quality control and precise production and inspection procedures.



至精 至洁 历久弥新

20多年的经验是您值得信赖的品牌-DONJOY

东正管件系列产品已全部通过美国-3A-63-03认证；橡胶垫圈FDA 177.2600，PTFE垫圈FDA177.1550。

材质：304、316L、1.4301、1.4404、1.4435 NB2 Fe<0.5%

表面处理：机抛光 DIN 11866 HE3c HE4c HE5c, ASME BPE SFF1 SFF2 SFF3

电抛光 DIN 11866 HE3c HE4c HE5c, ASME BPE SFF4 SFF5 SFF6



异形管件系列
(定制品)



卡箍式管件
Clamp pipe fittings



管件系列
DIN SMS ISO
BS4825 3A



无菌系列-
由任-法兰-卡箍由任
Aseptic series-Union-
Flange-Clamp union

BPE管件
BPE pipe fitting



由任
Union



管支架
Pipe holder



I-Line管件系列
I-line fittings



斜座式密封3A由任
Bevel seal ferrules



卫生钢管
Tube



材质和连接标准

Material and connectivity standards

材质有多种选项

- ◆ 1.4435-BN2 (316L) Fe < 0.5% Forged
- ◆ ASME BPE 316L
- ◆ ASTM 304, 1.4301
- ◆ ASTM 316L 1.4404

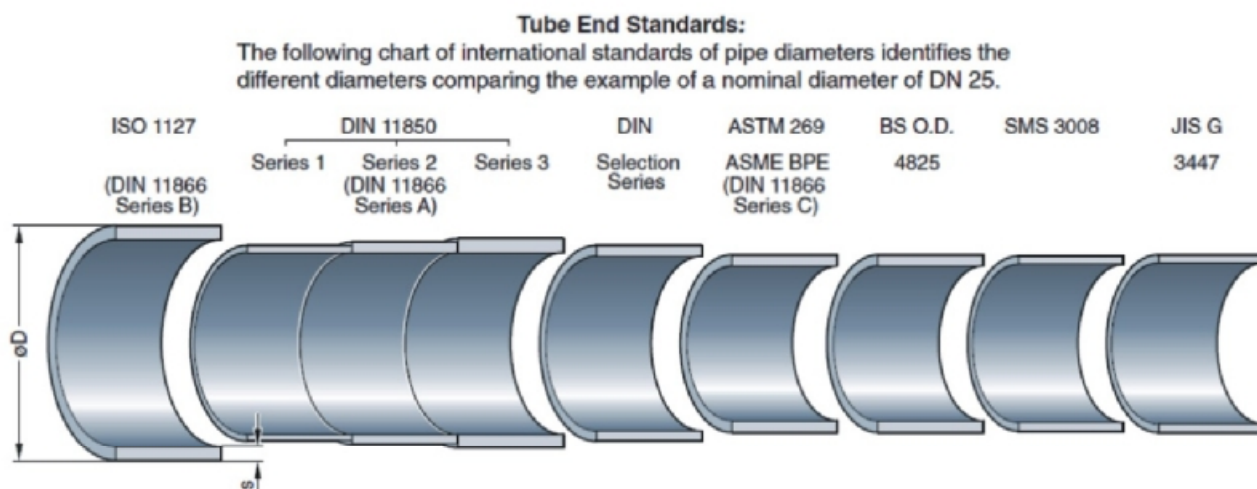
不锈钢化学成分规范
Chemical composition for automatic weld ends, %

根据ASDME BPE Table DT-3		EN 10088-3 1.4435 NB2 Fe≤0.5%	
Carbon, max	0.035	Carbon, max	< 0.03
chromium	16.00-18.00	chromium	16.00-18.00
manganese, max	2.00	manganese, max	2.00
molybdenum	2.00-3.00	molybdenum	2.5-3.0
nickel	10.00-15.00	nickel	12.5-14.0
phosphorus, max	0.045	phosphorus, max	0.045
silicon, max	1.00	silicon, max	1.00
sulfur	0.005-0.017	sulfur	≤ 0.030
		nitrogen	< 0.11

管道接口标准 Pipeline end standard

下表格：以DN25为列的不同国际标准卫生级不锈钢管道直径的区别

Next form: Take DN25 for example to illustrate the stainless steel pipe OD difference in different International standard health grade



表面处理

Surface treatment

表面处理

Surface treatment

对高洁净的工艺管路系统来说，表面的粗糙度是极其重要的技术指标
 For high clean process piping system, the roughness of the surface is an extremely important technique index



Surface finish: machined,
Ra 1.2 μm



Surface finish: machined,
Ra 0.8 μm



Surface finish: fine-machined,
and grinded, Ra 0.4 μm



Surface finish: fine-machined,
and grinded, Ra 0.2 μm



表面抛光 Surface polishing

Ra=粗糙度
 平均粗糙度Ra值被作为衡量一个内表面光洁度的一个参数。
 LT5.6mm 长度/测量Lc0.8mm进行5次测量粗糙度得出的平均值粗
 糙度Ra值。
 根据ASME BPE和DIN 11866。

Ra = roughness
 Average roughness Ra data is used as a measure of valve body
 surface finish of a parameter.
 LT5.6 mm length/measurement Lc0.8 mm for five measuring
 roughness obtained average roughness Ra data.
 According ASME BPE table to classified

Definition of the codes for Ra-Values

Allocation to the standard DIN 11866

Ra μm	DIN 11866	α
	Hygiene class	E-polished
0.8		
0.8	HE3c	●
0.6		
0.6		●
0.4		
0.4	HE4c	●
0.25		
0.25	HE5c	●

Table SF-2.4-1 R_a Readings for Metallic Product Contact Surfaces

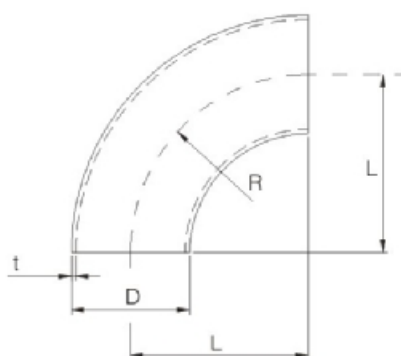
Surface Designation	Mechanically Polished [Note (1)]	
	R _a Max.	
	μ in.	μ m
SF0	No finish requirement	No finish requirement
SF1	20	0.51
SF2	25	0.64
SF3	30	0.76
	Mechanically Polished [Note (1)] and electropolished	
	R _a Max.	
	μ in.	μ m
SF4	15	0.38
SF5	20	0.51
SF6	25	0.64

弯头系列

Elbow Bend Series

短型-90° 对焊弯头- (选型系列) Short 90deg. Weld elbow (Selection series)

适用于Applied to: ISO1127

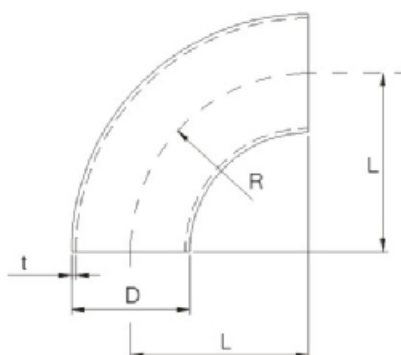


SIZE	尺寸			壁厚
	R	L	D	ISO1127
17.2	27.5	27.5	17.2	1.6
21.3	28.0	28.0	21.3	1.6
26.9	29.0	29.0	26.9	1.6
33.7	38.0	38.0	33.7	2.0
42.4	48.0	48.0	42.4	2.0
45.0	57.5	57.5	45.0	2.0
48.3	57.0	57.0	48.3	2.0
57.0	68.0	68.0	57.0	2.0
60.3	76.0	76.0	60.3	2.0
76.1	95.0	95.0	76.1	2.0
89.0	通用于ISO/JIS			
108.0	152.0	152.0	108.0	2.0
114.3	152.0	152.0	114.3	2.0
133.0	190.0	190.0	133.0	3.0
139.7	190.0	190.0	139.7	2.6
159.0	228.6	228.6	159.0	3.0
168.3	229.0	229.0	168.3	2.6
219.1	305.0	305.0	219.1	2.6

货号代码 Code : F070101

短型-90° 对焊弯头- (选型系列) 90deg. Weld elbow (Selection series)

适用于Applied to: DIN11852

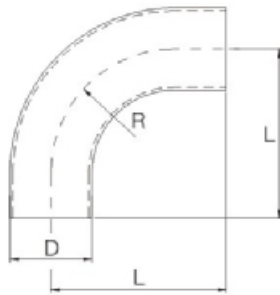


SIZE	尺寸		推荐系列	第二系列	壁厚
	R	L	D	D	DIN 11852
DN10	26.0	26.0	/	13	1.5
DN15	35.0	35.0	/	19	1.5
DN20	40.0	40.0	22	23	1.5
DN25	50.0	50.0	28.0	29	1.5
DN32	55.0	55.0	34.0	35	1.5
DN40	60.0	60.0	40.0	41	1.5
DN50	70.0	70.0	52.0	53	1.5
DN65	80.0	80.0	70.0	/	2.0
DN80	90.0	90.0	85.0	/	2.0
DN100	100.0	100.0	104.0	/	2.0
DN125	187.5	187.5	129.0	/	2.0
DN150	225.0	225.0	154.0	/	2.0
DN200	300.0	300.0	204.0	/	2.0

货号代码 Code : F020101

长型-90° 对焊弯头- (推荐系列) Long 90deg. Weld elbow (Recommended series)

执行标准Executive standard: 3A 适用于Applied to: BS4825, 3A,ISO (R=1.5D)

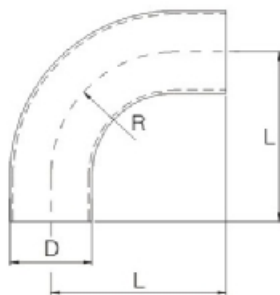


3A货号代码 Code : F040102
ISO货号代码 Code : F050102

SIZE	尺寸			壁厚	
	R	L	D	3A/BS	ISO
1/2"	19.1	45.0	12.7	1.65	/
3/4"	28.6	60.0	19.1	1.65	/
1"	38.1	65.0	25.4	1.65	1.5
1 1/4"	47.6	75.0	31.8	1.50	1.5
1 1/2"	57.2	85.0	38.1	1.65	1.5
2"	76.2	110.0	50.8	1.65	1.5
2 1/2"	95.3	135.0	63.5	1.65	2
3"	114.3	155.0	76.2	1.65	2
4"	152.4	195.0	101.6	2.10	2.1

长型-90° 对焊弯头- (选型系列) Long 90deg. Weld elbow (Selection series)

适用于Applied to: AS1528 (R=1.5D)

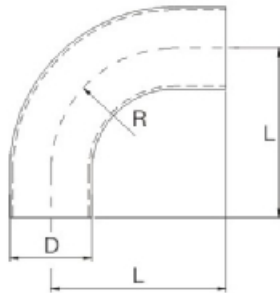


货号代码 Code : F010102

SIZE	尺寸			壁厚
	R	L	D	AS1528
1"	38.1	68.1	25.4	1.65
1 1/4"	47.7	77.7	31.8	1.65
1 1/2"	57.2	87.2	38.1	1.65
2"	76.2	106.2	50.8	1.65
2 1/2"	95.3	125.3	63.5	1.65
3"	114.3	144.3	76.2	1.65
4"	152.4	182.4	101.6	2.10
5"	190.5	230.5	127.0	2.10
6"	228.6	268.6	152.4	2.80

长型-90° 对焊弯头- (选型系列) Long 90deg. Weld elbow (Selection series)

适用于Applied to: SMS/DS (R=1D)



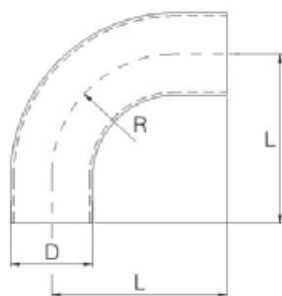
货号代码 Code : F030102

SIZE	尺寸			壁厚	
	R	L	D	SMS/DS	
1"	25.0	55.0	25.0	1.25	1.5
1 1/4"	32.0	64.0	32.0	1.25	1.5
1 1/2"	38.0	70.0	38.0	1.25	1.5
2"	51.0	82.0	51.0	1.25	1.5
2 1/2"	63.5	105.0	63.5	1.50	2.0
3"	76.0	110.0	76.0	1.60	2.0
4"	101.6	150.0	101.6	2.00	2.0

弯头系列 Elbow Bend Series

长型-90° 对焊弯头- (DIN 推荐系列) Long 90deg. Weld elbow (Recommended series)

适用于Applied to: DIN11852

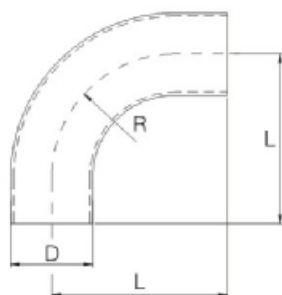


货号代码 Code : F020102

SIZE	尺寸		推荐系列	壁厚
	R	L		
DN20	40.0	52.0	D	1.5
DN25	50.0	70.0	D	1.5
DN32	55.0	78.0	D	1.5
DN40	60.0	85.0	D	1.5
DN50	70.0	97.0	D	1.5
DN65	80.0	110.0	D	2.0
DN80	90.0	118.0	D	2.0
DN100	100.0	140.0	D	2.0
DN125	187.5	227.0	D	2.0
DN150	225.0	265.0	D	2.0

长型-90° 对焊弯头 Long 90deg. Weld elbow

适用于Applied to: DIN11852

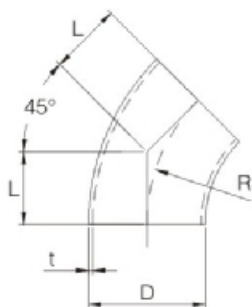


货号代码 Code : F020102-1

SIZE	尺寸		第二系列	壁厚
	R	L		
DN10	26.0	51.0	D	1.5
DN15	35.0	60.0	D	1.5
DN20	40.0	65.0	D	1.5
DN25	50.0	90.0	D	1.5
DN32	55.0	95.0	D	1.5
DN40	60.0	100.0	D	1.5
DN50	70.0	110.0	D	1.5
DN65	80.0	120.0	D	2.0
DN80	90.0	145.0	D	2.0
DN100	100.0	155.0	D	2.0
DN125	187.5	245.0	D	2.0

短型-45° 对焊弯头- (推荐系列) Short 45deg. Weld elbow (Recommended series)

执行标准Executive standard: 3A 适用于Applied to: AS1528, BS4825, 3A,SMS-DS (R=1.5D)

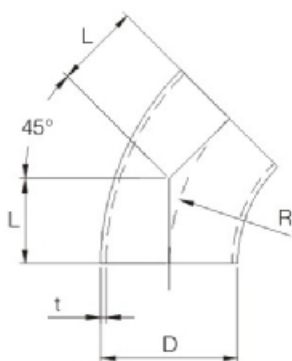


3A货号代码 Code : F040111
SMS代码 Code : F030111

SIZE	尺寸			壁厚	
	R	L	D	3A/AS/BS	SMS
0.5	19.1	7.9	12.7	1.65	/
0.75	28.6	11.8	19.1	1.65	/
1.0	38.1	15.8	25.4	1.65	1.5
1.25	47.6	19.8	31.8	1.50	1.5
1.5	57.2	23.7	38.1	1.65	1.5
2.0	76.2	31.8	50.8	1.65	1.5
2.5	95.3	39.6	63.5	1.65	2
3.0	114.3	47.5	76.2	1.65	2
4.0	152.4	63.2	101.6	2.10	2.1
5.0	190.5	78.9	127.0	2.10	/
6.0	228.6	94.7	152.4	2.80	/

短型-45° 对焊弯头- (选型系列) Short 45deg. Weld elbow (Selection series)

适用于Applied to: ISO/JIS3447

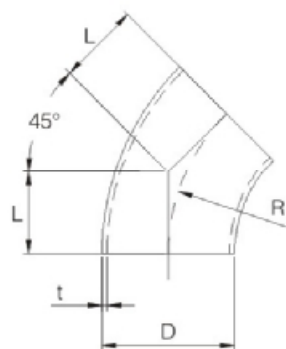


货号代码 Code : F050111

SIZE	尺寸			壁厚
	R	L	D	ISO/JIS3447
1.0	33.5	13.9	25.4	1.5
1.25	38.0	15.7	31.8	1.5
1.5	48.5	20.1	38.1	1.5
2.0	60.5	25.1	50.8	1.5
2.5	83.5	34.6	63.5	2.0
3.0	88.5	36.7	76.2	2.0
3.5	103.5	42.9	88.9	2.0
4.0	127.0	52.6	101.6	2.0

短型-45° 对焊弯头- (选型系列) Short 45deg. Weld elbow (Selection series)

适用于Applied to: ISO1127



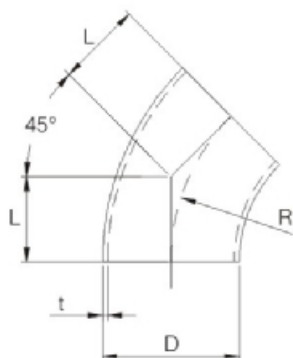
货号代码 Code : F070111

SIZE	尺寸			壁厚
	R	L	D	ISO1127
17.2	27.5	11.4	17.2	1.6
21.3	28.0	11.6	21.3	1.6
26.9	29.0	12.0	26.9	1.6
33.7	38.0	15.7	33.7	2.0
42.4	48.0	19.9	42.4	2.0
45.0	57.5	23.8	45.0	2.0
48.3	57.0	23.6	48.3	2.0
57.0	68.0	28.1	57.0	2.0
60.3	76.0	31.5	60.3	2.0
76.1	95.0	39.4	76.1	2.0
89.0	通用于ISO/JIS标准			
108.0	152.0	63.0	108.0	2.0
114.3	152.0	63.0	114.3	2.0
133.0	190.0	78.7	133.0	3.0
139.7	190.0	78.7	139.7	2.6
159.0	228.6	94.9	159.0	3.0
168.3	229.0	94.9	168.3	2.6
219.1	305.0	126.3	219.1	2.6

弯头系列 Elbow Bend Series

短型-45° 对焊弯头 (DIN推荐系列) Short 45deg. Weld elbow (DIN Recommended series)

适用于Applied to: DIN11852

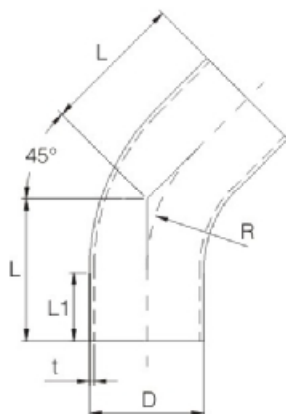


SIZE	长度		推荐系列	第二系列	壁厚
	R	L	D	D	DIN11852
DN10	26.0	10.8	/	13.0	1.5
DN15	35.0	14.5	/	19.0	1.5
DN20	40.0	16.6	22.0	23.0	1.5
DN25	50.0	20.7	28.0	29.0	1.5
DN32	55.0	22.8	34.0	35.0	1.5
DN40	60.0	24.9	40.0	41.0	1.5
DN50	70.0	29.0	52.0	53.0	1.5
DN65	80.0	33.1	70.0	-	2.0
DN80	90.0	37.3	85.0	-	2.0
DN100	100.0	41.4	104.0	-	2.0
DN125	187.5	77.7	129.0	-	2.0
DN150	225.0	93.2	154.0	-	2.0

货号代码 Code : F020111

长型-45° 对焊弯头- (推荐系列) Long 45deg. Weld elbow (Recommended series)

执行标准Executive standard: 3A 适用于Applied to: AS1528, BS4825, 3A,ISO (R=1.5D)

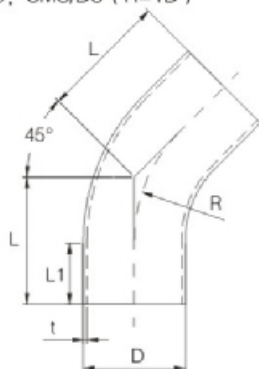


SIZE	尺寸			壁厚	
	L	L1	D	3A/AS/BS	ISO
1/2"	37.9	30.0	12.7	1.65	/
3/4"	41.8	30.0	19.1	1.65	/
1"	45.8	30.0	25.4	1.65	1.5
1 1/4"	49.8	30.0	31.8	1.50	1.5
1 1/2"	53.7	30.0	38.1	1.65	1.5
2"	61.8	30.0	50.8	1.65	1.5
2 1/2"	69.6	30.0	63.5	1.65	2
3"	77.5	30.0	76.2	1.65	2
4"	93.2	30.0	101.6	2.10	2.1
5"	118.9	40.0	127.0	2.10	/
6"	134.7	40.0	152.4	2.80	/

3A货号代码 Code : F040112
ISO货号代码 Code : F050112

短型-45° 对焊弯头- (选型系列) Short 45deg. Weld elbow (Selection series)

适用于Applied to: SMS/DS (R=1D)

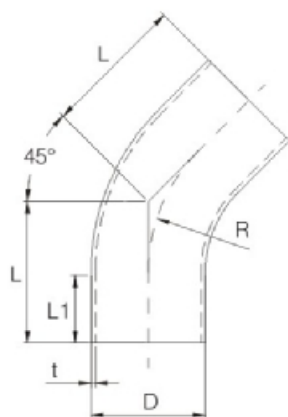


货号代码 Code : F030112

SIZE	尺寸			壁厚
	L	L1	D	SMS/DS
1"	45.0	34.6	25.4	1.5
1 1/4"	53.3	40.0	31.8	1.5
1 1/2"	56.7	41.0	38.1	1.5
2"	63.3	42.2	50.8	1.5
2 1/2"	80.8	54.4	63.5	2.0
3"	82.0	50.5	76.2	2.0
4"	108.9	66.8	101.6	2.0

长型-45° 对焊弯头 Long 45deg. Weld elbow

适用于Applied to: DIN11852



货号代码 Code : F020112

SIZE	尺寸		推荐系列	第二系列	壁厚
	L	L1	D	D	DIN 11852
DN10	35.8	25.0	/	13	1.5
DN15	39.5	25.0	/	19	1.5
DN20	41.6	25.0	22	23	1.5
DN25	60.7	40.0	28.0	29	1.5
DN32	62.8	40.0	34.0	35	1.5
DN40	64.9	40.0	40.0	41	1.5
DN50	69.0	40.0	52.0	53	1.5
DN65	73.1	40.0	70.0	/	2.0
DN80	92.3	40.0	85.0	/	2.0
DN100	96.4	55.0	104.0	/	2.0
DN125	135.2	57.5	129.0	/	2.0

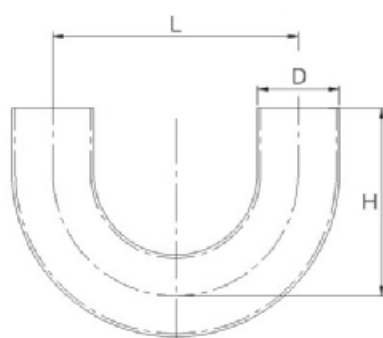


弯头系列

Elbow Bend Series

长型-180° 对焊弯头- (推荐系列) Long 180deg. Weld elbow (Recommended series)

执行标准Executive standard: 3A 适用于Applied to: AS1528, BS4825,3A,SMS-DS,ISO (R=1.5D)

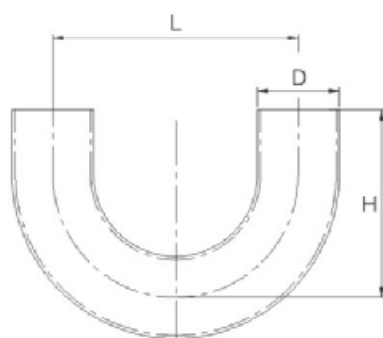


货号代码 Code : F0401A1

SIZE	尺寸			壁厚
	L	H	D	AS/BS/3A
1/2"	通用于BPE标准, 详见BPE 1/2"和3/4" *			
3/4"				
1"	76.2	68.1	25.4	1.65
1 1/4"	95.3	77.6	31.8	1.65
1 1/2"	114.3	87.2	38.1	1.65
2"	152.4	106.2	50.8	1.65
2 1/2"	190.5	125.3	63.5	1.65
3"	228.6	144.3	76.2	1.65
4"	304.8	182.4	101.6	2.10
5"	381.0	230.5	127.0	2.10
6"	457.2	268.6	152.4	2.80

长型-180° 对焊弯头- (DIN推荐系列) Long 180deg. Weld elbow (DIN Recommended series)

适用于Applied to: DIN 11852



货号代码 Code : F0201A1

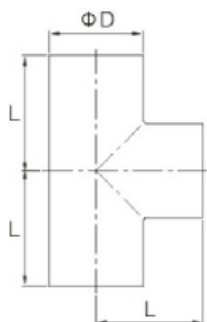
SIZE	长度		推荐系列	第二系列	壁厚
	L	H	D	D	DIN 11852
DN10	DN10和DN15根据BPE 1/2"和3/4" "				
DN15					
DN20	80	65	22.0	23.0	1.5
DN25	100	90	28.0	29.0	1.5
DN32	110	95	34.0	35.0	1.5
DN40	120	100	40.0	41.0	1.5
DN50	140	110	52.0	53.0	1.5
DN65	160	120	70.0	-	2.0
DN80	180	145	85.0	-	2.0
DN100	200	155	104.0	-	2.0

三通系列 Three series

短型(中头等长)-对焊三通-(推荐系列) Short (Equal). Weld Tee (Recommended series)

适用于Applied to: 3A

货号代码Code : F040121

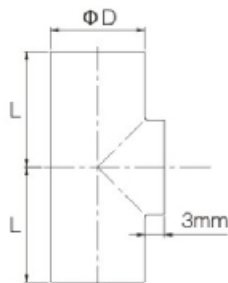


SIZE	尺寸	
	L	D
1	28.5	25.4
1.25	35.0	31.8
1.5	42.0	38.1
2	52.3	50.8
2.5	59.5	63.5
3	65.9	76.2
4	87.4	101.6

短型(中头短)-对焊三通-(推荐系列) Short (Medium short). Weld Tee (Recommended series)

适用于Applied to: 3A

货号代码Code : F040122



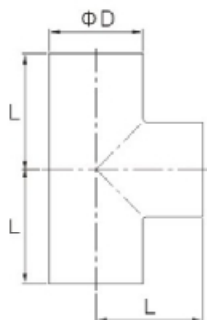
SIZE	尺寸		
	L1	L	D
1	3	28.5	25.4
1.25		35.0	31.8
1.5		42.0	38.1
2		52.3	50.8
2.5		59.5	63.5
3		65.9	76.2
4		87.4	101.6

短型(中头等长)-对焊三通(选型系列) Short (Equal). Weld Tee (Selection series)

执行标准Executive standard: AS1528 适用于Applied to: AS1528, BS4825, SMS-DS(L=1.5D)

AS货号代码Code : F010121

SMS货号代码Code : F030121



SIZE	尺寸	
	L	D
1	38.1	25.4
1.25	通用3A长型(等同于3A长型)	
1.5		
2		
2.5	95.3	63.5
3	114.3	76.2
4	152.4	101.6
5	190.5	127
6	228.6	152.4

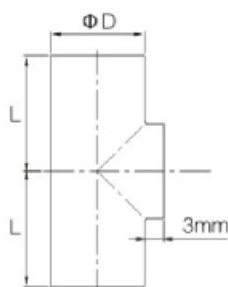
三通系列

Three series

短型(中头短)-对焊三通(选型系列) Short (Medium short). Weld Tee (Selection series)

执行标准Executive standard: AS1528; 适用于Applied to: AS1528, BS4825,SMS-DS(L=1.5D)

AS货号代码Code : F010122
SMS货号代码Code : F030122

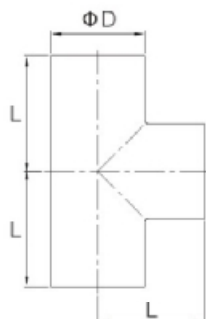


SIZE	尺寸		
	L1	L	G
1	3mm	38.1	25.4
1.25		47.6	31.8
1.5		57.2	38.1
2		76.2	50.8
2.5		95.3	63.5
3		114.3	76.2
4		152.4	101.6
5		190.5	127.0
6		228.6	152.4

短型(中头等长)-对焊三通(选型系列) Short (Equal). Weld Tee (Selection series)

适用于Applied to: ISO/JIS3447

货号代码Code : F050121

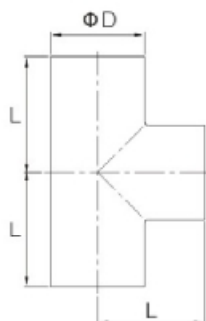


SIZE	尺寸	
	L	D
1	33.5	25.4
1.25	38.0	31.8
1.5	48.5	38.1
2	60.5	50.8
2.5	83.5	63.5
3	88.5	76.2
3.5	103.5	88.9
4	127.0	101.6

短型(中头等长)-对焊三通(选型系列) Short (Equal). Weld Tee (Selection series)

适用于Applied to: ISO1127

货号代码Code : F070121

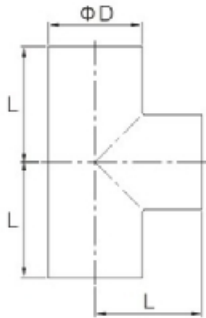


SIZE	尺寸	
	L	D
17.2	27.5	17.2
21.3	28	21.3
26.9	29	26.9
33.7	38	33.7
42.4	48	42.4
45	52.5	45
48.3	57	48.3
57	68	57
60.3	64	60.3
76.1	76	76.1
89	103.5	88.9
108	105	108
114.3	105	114.3
133	135	133
139.7	140	139.7
159	140	159
168.3	170	168.3
219.1	220	219.1

长型(中头等长)-对焊三通-(推荐系列) Long (Equal). Weld Tee (Recommended series)

适用于Applied to: 3A

货号代码Code : F040131

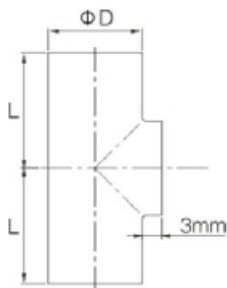


SIZE	尺寸	
	L	D
0.5	49.0	12.7
0.75	49.0	19.1
1	49.0	25.4
1.25	47.6	31.8
1.5	57.2	38.1
2	76.2	50.8
2.5	76.2	63.5
3	82.6	76.2
4	98.4	101.6
5	114.3	127.0
6	127.0	152.4

长型(中头短)-对焊三通-(推荐系列) Long (Medium short). Weld Tee (Recommended series)

适用于Applied to: 3A

货号代码Code : F040132

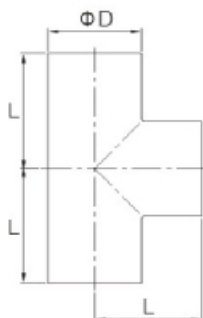


SIZE	尺寸		
	L1	L	D
0.5	3.0	49.0	12.7
0.75		49.0	19.1
1		49.0	25.4
1.25		47.6	31.8
1.5		57.2	38.1
2		76.2	50.8
2.5		76.2	63.5
3		82.6	76.2
4		98.4	101.6
5		114.3	127.0
6	127.0	152.4	

长型(中头等长)-对焊三通 Long (Equal). Weld Tee

适用于Applied to: BS4825

货号代码Code : F060131



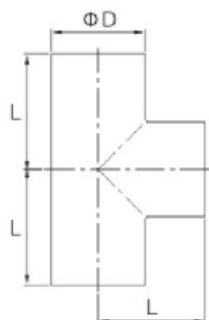
SIZE	尺寸	
	L	D
1	65	25
1.25	75	32
1.5	85	38
2	110	51
2.5	135	64
3	155	76
4	195	102

三通系列 Three series

长型(中头等长)-对焊三通 Long (Equal). Weld Tee

适用于Applied to: AS1528

货号代码Code : F010131

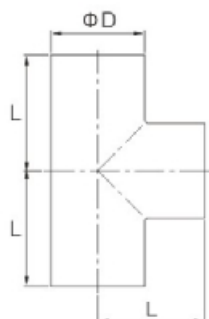


SIZE	尺寸	
	L	D
1	68.1	25.4
1.25	77.7	31.8
1.5	87.2	38.1
2	106.2	50.8
2.5	125.3	63.5
3	144.3	76.2
4	182.4	101.6
5	230.5	127.0
6	268.6	152.4

长型(中头等长)-对焊三通 Long (Equal). Weld Tee

适用于Applied to: SMS/DS

货号代码Code : F030131

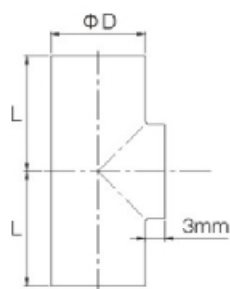


SIZE	尺寸	
	L	D
1"	55	25.0
1 1/4"	64	32.0
1 1/2"	70	38.0
2"	82	51.0
2 1/2"	105	63.5
3"	110	76.0
4"	150	101.6

长型(中头短)-对焊三通 Long (Medium short). Weld Tee

适用于Applied to: SMS/DS

货号代码Code : F030132

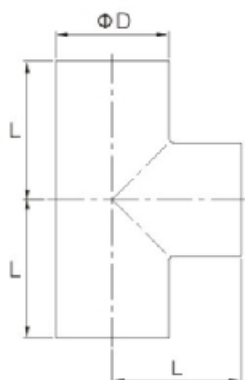


SIZE	尺寸		
	L1	L	D
1"	3	55	25.0
1 1/4"		64	32.0
1 1/2"		70	38.0
2"		82	51.0
2 1/2"		105	63.5
3"		110	76.0
4"		150	101.6

(短型)(中头等长)-对焊三通-(推荐系列) Short (Equal). Weld Tee (Recommended series)

适用于Applied to: DIN11852

货号代码Code : F020121

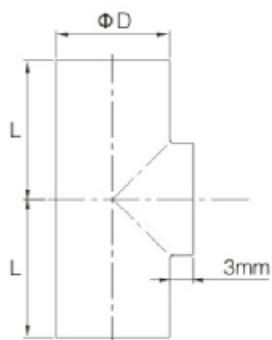


SIZE	长度	推荐系列	第二系列
	L	D	D
DN10	26	/	13
DN15	35	/	19
DN20	40	22	23
DN25	50	28	29
DN32	55	34	35
DN40	60	40	41
DN50	70	52	53
DN65	80	70	/
DN80	90	85	/
DN100	100	104	/
DN125	187.5	129	/
DN150	225	154	/
DN200	300	204	/

长型(中头短)-对焊三通-(推荐系列) Long (Equal). Weld Tee (Recommended series)

适用于Applied to: DIN11852

货号代码Code : F020122



SIZE	长度	推荐系列	第二系列
	L	D	D
DN10	26	/	13
DN15	35	/	19
DN20	40	22	23
DN25	50	28	29
DN32	55	34	35
DN40	60	40	41
DN50	70	52	53
DN65	80	70	/
DN80	90	85	/
DN100	100	104	/
DN125	187.5	129	/
DN150	225	154	/
DN200	300	204	/



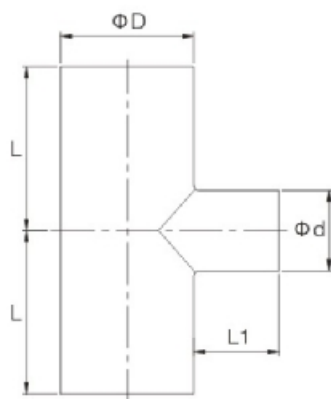
三通系列

Three series

短型(中头长)-对焊异径三通-(推荐系列) Short (Equal). Weld reducing Tee (Recommended series)

执行标准Executive standard: 3A; 适用于Applied to: 3A, BS,AS,SMS,DS,ISO

货号代码Code : F040161



注意 Note

ΦD=直通规格 Direct specification

Φd=中间异径规格 Medium reducing specification

L=直通长度 Direct length

L1=中间异径长度 Medium reducing length

中间异径长度 Medium reducing length(L1)

≤ 1.5'=25mm

2'-3'=30mm

4'=40mm

≥ 5'=50mm

壁厚(中间异径规格)Thickness (Medium reducing specification)

3A , BS,AS

≤ 3'=1.65mm

4'=2.1mm

5'-6'=2.8mm

SMS/DS/ISO

≤ 3'=1.65mm

4'=2.1mm

5'-6'=2.8mm

注意: 中间异径壁厚是根据对应的规格壁厚

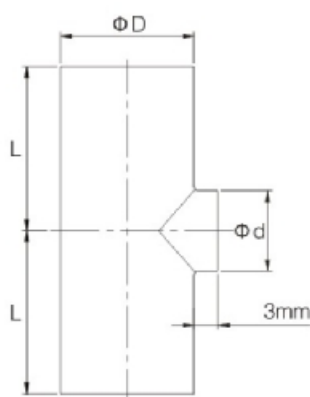
Note: Thickness of Medium reducing according to relative specification

SIZE	尺寸		
	Φd	L	ΦD
1	19	49.0	25.4
1.25	25.4	47.6	31.8
1.5	25.4	57.2	38.1
	31.8		
2	25.4	76.2	50.8
	31.8		
	38.1		
2.5	25.4	76.2	63.5
	31.8		
	38.1		
	50.8		
3	25.4	82.6	76.2
	31.8		
	38.1		
	50.8		
	63.5		
4	25.4	98.4	101.6
	31.8		
	38.1		
	50.8		
	63.5		
	76.2		
5	25.4	114.3	127.0
	31.8		
	38.1		
	50.8		
	63.5		
6	25.4	127.0	152.4
	31.8		
	38.1		
	50.8		
	63.5		
	76.2		
	101.6		

短型(中头短)-对焊异径三通-(推荐系列) Short (Equal). Weld reducing Tee (Recommended series)

执行标准Executive standard: 3A; 适用于Applied to: 3A, BS,AS,SMS,DS,ISO

货号代码Code : F040162



标注说明 Note

ΦD=直通规格 Direct specification

Φd=中间异径规格 Medium reducing specification

3=中间长度 Medium length 3mm

L=直通长度 Direct length

壁厚(中间异径规格)

Thickness(Medium reducing specification)

DN10-DN50=1.5mm

DN65-DN200=2mm

注意: 中间异径壁厚是根据对应的规格壁厚

Note: Thickness of Medium reducing according to relative specification

SIZE	尺寸		
	Φd	L	ΦD
1	19	49.0	25.4
1.25	25.4	47.6	31.8
1.5	25.4	57.2	38.1
	31.8		
2	25.4	76.2	50.8
	31.8		
	38.1		
2.5	25.4	76.2	63.5
	31.8		
	38.1		
	50.8		
3	25.4	82.6	76.2
	31.8		
	38.1		
	50.8		
	63.5		
4	25.4	98.4	101.6
	31.8		
	38.1		
	50.8		
	63.5		
	76.2		
5	25.4	114.3	127.0
	31.8		
	38.1		
	50.8		
	63.5		
	76.2		
6	101.6	127.0	152.4
	25.4		
	31.8		
	38.1		
	50.8		
	63.5		
	76.2		

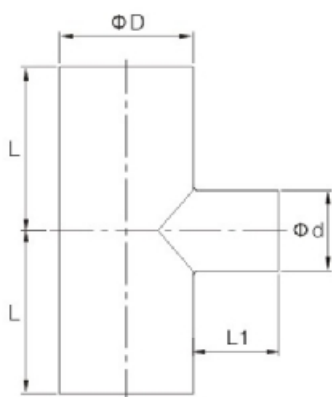
三通系列

Three series

对焊异径三通(中头长)-(推荐系列) Weld reducing Tee (Equal).(Recommended series)

适用于Applied to: DIN11852

货号代码Code : F020161



注意 Note

ΦD=直通规格 Direct specification

Φd=中间异径规格 Medium reducing specification

L=直通长度 Direct length

L1=中间异径长度 Medium reducing length

中间异径长度 Medium reducing length(L1)

≤DN32=25mm

DN40-65=30mm

DN80-100=40mm

≥DN125=50mm

壁厚(中间异径规格)

Thickness(Medium reducing specification)

DN10-DN50=1.5mm

DN65-DN200=2mm

注意: 中间异径壁厚是根据对应的规格壁厚

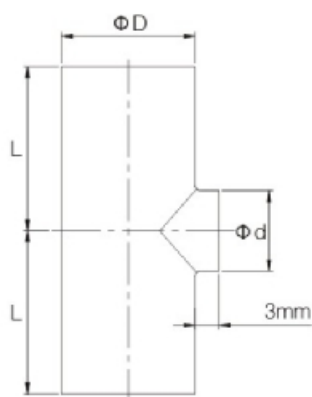
Note: Thickness of Medium reducing according to relative specification

SIZE	尺寸		
	Φd	L	ΦD
DN15	13	35	19
DN20	13	40	22
	19		
DN25	13	50	28
	19		
DN32	13	55	34
	19		
	23		
	28		
DN40	13	60	40
	19		
	22		
	28		
DN50	22	70	52
	28		
	34		
	40		
DN65	28	80	70
	34		
	40		
	52		
DN80	34	90	85
	40		
	52		
	70		
DN100	40	100	104
	52		
	70		
	85		
DN125	52	187.5	129
	70		
	85		
	104		
DN150	52	225	154
	70		
	85		
	104		
DN200	129	300	204
	85		
	104		
	154		

对焊异径三通(中头短)-(推荐系列) Weld reducing Tee (Medium short).(Recommended series)

适用于Applied to: DIN11852

货号代码Code : F020162



注意 Note

ΦD=直通规格 Direct specification

Φd=中间异径规格 Medium reducing specification

3=中间长度 Medium length 3mm

L=直通长度 Direct length

壁厚(中间异径规格)

Thickness(Medium reducing specification)

DN10-DN50=1.5mm

DN65-DN200=2mm

注意：中间异径壁厚是根据对应的规格壁厚

Note: Thickness of Medium reducing according to relative specification

SIZE	尺寸		
	Φd	L	ΦD
DN15	13	35	19
DN20	13	40	22
	19		
DN25	13	50	28
	19		
DN32	13	55	34
	19		
	23		
	28		
DN40	13	60	40
	19		
	22		
	28		
DN50	22	70	52
	28		
	34		
	40		
DN65	28	80	70
	34		
	40		
	52		
DN80	34	90	85
	40		
	52		
	70		
DN100	40	100	104
	52		
	70		
	85		
DN125	52	187.5	129
	70		
	85		
	104		
DN150	52	225	154
	70		
	85		
	104		
DN200	129	300	204
	85		
	104		
	154		

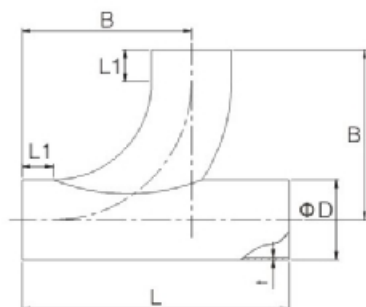
三通系列

Three series

R型-弯头三通-(推荐系列) R type -elbow Tee

执行标准Executive standard: 3A; 适用于Applied to: AS, BS, 3A,SMS/DS、ISO

货号代码Code : F0401A7

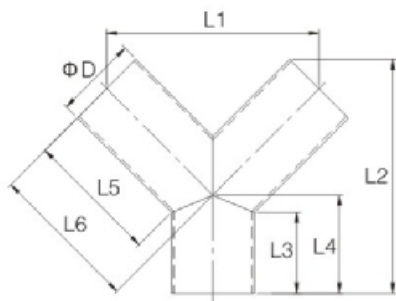


SIZE	尺寸			
	L	L1	B	D
1	120.0	30.0	81	25.4
1.25	135.0		90	31.8
1.5	150.0		100	38.1
2	180.0		118	50.8
2.5	240.0		152	63.5
3	270.0		170	76.2
4	340.0	40.0	209	101.6
5	440.0		270	127.0
6	500.0		310	152.4

Y型-三通-(推荐系列) Y type - Tee

执行标准Executive standard: 3A; 适用于Applied to: AS, BS, 3A,SMS/DS、ISO

货号代码Code : F0401A5

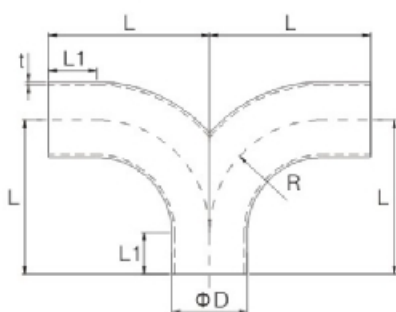


SIZE	尺寸					
	Φ D	L1	L2	L3	L4	L5
25.4	88	72	13.8	19.0	57	62.6
31.8	110	90	17.2	23.8	71.2	77.8
38.1	132	108	20.6	28.5	85.45	93.3
50.8	176	143	26.5	37.0	113.9	124.5
63.5	220	179	33.4	46.5	142.4	155.6
76.2	264	215	40.3	56.1	170.9	186.7
101.6	352	287	54.0	75.1	227.9	248.9
127.0	359	440	189.3	215.6	227.5	253.9
152.4	430	529	228.6	260.1	272.5	304.1

T型弯头-三通-(推荐系列) T type - Tee

执行标准Executive standard: 3A; 适用于Applied to: AS, BS, 3A,SMS/DS、ISO

货号代码Code : F0401A9

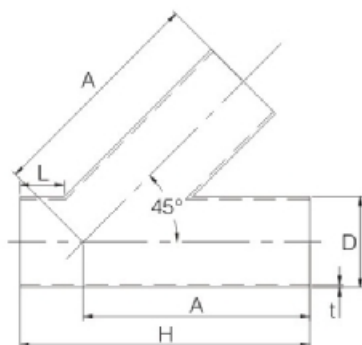


SIZE	尺寸		
	L	L1	R
25.4	65	26.9	38.1
38.1	85	27.8	57.2
50.8	110	33.8	76.2
63.5	135	39.7	95.3
76.2	155	40.7	114.3
101.6	195	42.6	152.4

45° -Y型-三通 -(推荐系列) 45 -Y -type - Tee

执行标准Executive standard: 3A 适用于Applied to: AS、BS、3A,SMS/DS、ISO

货号代码Code : F0401B1

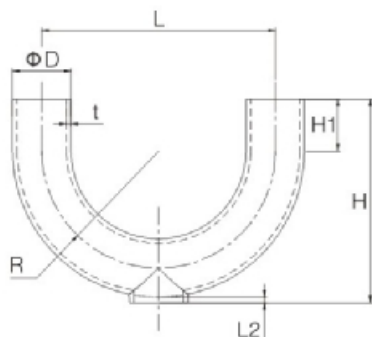


SIZE	内外抛光		尺寸				AS/BS /3A 壁厚	DS/SMS /ISO 壁厚
			总长	高度	直端长度	ΦD		
	304	316L	H	A	L			
1"	NO	NO	162.0	127.0	29.7	25.4	1.65	1.5
1.5"	NO	NO	195.2	157.2	30.1	38.1	1.65	1.5
2"	NO	NO	220.5	180.0	30.0	50.8	1.65	1.5
2.5"	NO	NO	264.0	216.0	34.8	63.5	1.65	2
3"	NO	NO	266.0	216.0	34.2	76.2	1.65	2
4"	NO	NO	335.5	273.0	39.5	101.6	2.1	2

U型-三通-(推荐系列) U type - Tee

执行标准Executive standard: 3A; 适用于Applied to: AS、BS、3A,SMS/DS、ISO

货号代码Code : F0401A3

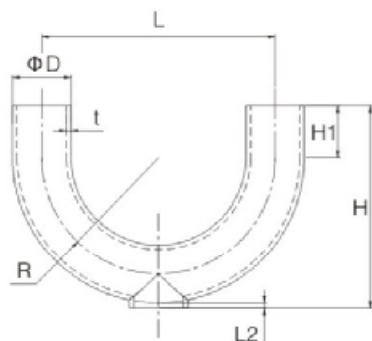


SIZE	尺寸					R
	总长	高度	直端长度	中头长度		
ΦD	L	H	H1	L2		
25.4	76	84	30.0	3		38.1
31.8	95	97	30.0		47.6	
38.1	114	109	30.0		57.2	
50.8	152	135	30.0		76.2	
63.5	191	160	30.0		95.3	
76.2	229	185	30.0		114.3	
101.6	305	236	30.0		152.4	

U型-三通-(推荐系列) U type - Tee

适用于Applied to: DIN11852

货号代码Code : F0201A3



SIZE	尺寸					
	总长	高度	直端长度	中头长度	R	ΦD
	L	H	H1	L2		
DN25	100	107	40.0	3	50	28
DN32	110	115	40.0		55	34
DN40	120	123	40.0		60	40
DN50	140	139	40.0		70	52
DN65	160	158	40.0		80	70
DN80	180	191	55.0		90	85
DN100	200	210	55.0		100	104

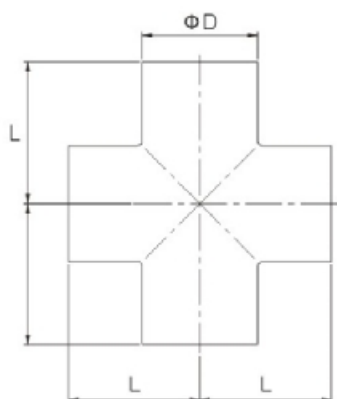
四通系列

Stone series

长型(四头等长)-对焊四通-(推荐系列) Long (Equal) Cross (Recommended series)

执行标准Executive standard: 3A; 适用于Applied for: 3A, BS,AS,SMS,DS,ISO

货号代码Code : F040151

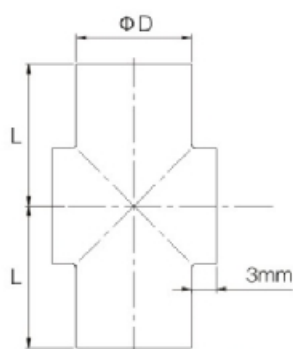


SIZE	尺寸	
	L	D
0.5	49.0	12.7
0.75	49.0	19.1
1	49.0	25.4
1.25	47.6	31.8
1.5	57.2	38.1
2	76.2	50.8
2.5	76.2	63.5
3	82.6	76.2
3.5	103.5	88.9
4	98.4	101.6
5	114.3	127.0
6	127.0	152.4

长型(中头短)-对焊等径四通-(推荐系列) Long (Medium short) Cross (Recommended series)

执行标准Executive standard: 3A; 适用于Applied for: 3A, BS,AS,SMS,DS,ISO

货号代码Code : F040152



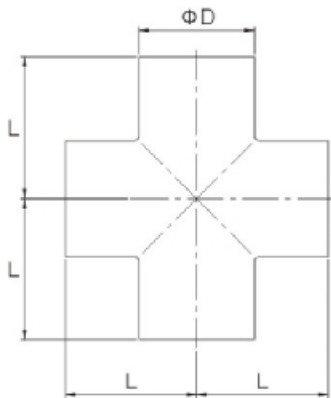
中头直端长度

SIZE	尺寸		
	中头直端长度	L	D
0.5	3.0	49.0	12.7
0.75		49.0	19.1
1		49.0	25.4
1.25		47.6	31.8
1.5		57.2	38.1
2		76.2	50.8
2.5		76.2	63.5
3		82.6	76.2
3.5		103.5	88.9
4		98.4	101.6
5		114.3	127.0
6		127.0	152.4

(四头等长)对焊四通-(推荐系列) (Equal Cross (Recommended series))

适用于Applied for: DIN11852

货号代码Code : F020141

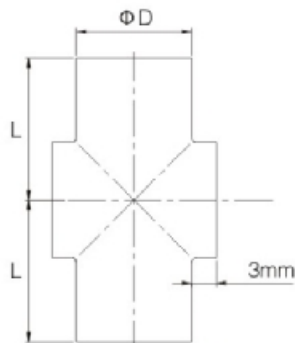


SIZE	长度	推荐系列	第二系列
	L	D	D
DN10	26	13	13
DN15	35	19	19
DN20	40	22	23
DN25	50	28	29
DN32	55	34	35
DN40	60	40	41
DN50	70	52	53
DN65	80	70	-
DN80	90	85	-
DN100	100	104	-
DN125	187.5	129	-
DN150	225	154	-
DN200	300	204	-

(短型)(中头短)-对焊四通-(推荐系列) Short(Medium short) Cross (Recommended series)

适用于Applied for: DIN11852

货号代码Code : F020142



中头直
端长度

SIZE	长度	推荐系列	第二系列
	L	D	D
DN10	26	13	13
DN15	35	19	19
DN20	40	22	23
DN25	50	28	29
DN32	55	34	35
DN40	60	40	41
DN50	70	52	53
DN65	80	70	-
DN80	90	85	-
DN100	100	104	-
DN125	187.5	129	-
DN150	225	154	-
DN200	300	204	-

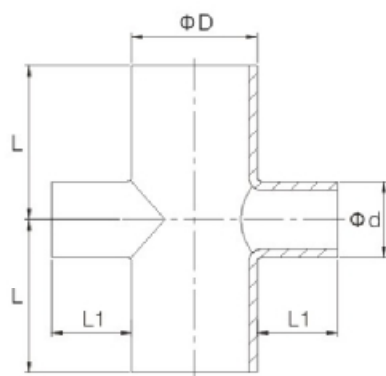
四通系列

Stone series

长型(中头长)-对焊异径四通-(推荐系列) Long (Equal) Cross (Recommended series)

执行标准Executive standard: 3A; 适用于Applied for: 3A, BS,AS,SMS,DS,ISO

货号代码Code : F040171



注意 Note

ΦD=直通规格 Direct specification

Φd=中间异径规格 Medium reducing specification

L=直通长度 Direct length

L1=中间异径长度 Medium reducing length

中间异径长度 Medium reducing length(L1)

≤1.5'=25mm

2"-3'=30mm

4'=40mm

≥5'=50mm

壁厚(中间异径规格)

Thickness (Medium reducing specification)

3A , BS,AS

≤3'=1.65mm

4'=2.1mm

5"-6"=2.8mm

SMS/DS/ISO

≤3'=1.65mm

4'=2.1mm

5"-6"=2.8mm

注意: 中间异径壁厚是根据对应的规格壁厚

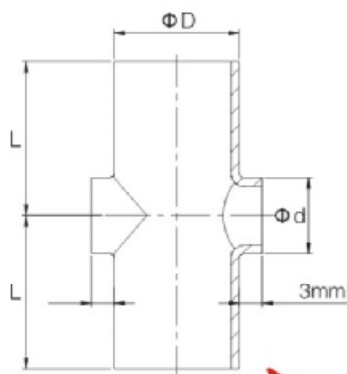
Note: Thickness of Medium reducing according to relative specification

SIZE	尺寸		
	Φd	L	ΦD
1	19	49.1	25.4
1.25	25.4	47.6	31.8
1.5	25.4	57.2	38.1
	31.8		
2	25.4	76.2	50.8
	31.8		
	38.1		
2.5	25.4	76.2	63.5
	31.8		
	38.1		
	50.8		
3	25.4	82.6	76.2
	31.8		
	38.1		
	50.8		
	63.5		
4	25.4	98.4	101.6
	31.8		
	38.1		
	50.8		
	63.5		
	76.2		
5	25.4	114.3	127.0
	31.8		
	38.1		
	50.8		
	63.5		
	76.2		
6	25.4	127.0	152.4
	31.8		
	38.1		
	50.8		
	63.5		
	76.2		
	101.6		

长型(中头短)-对焊异径四通-(推荐系列) Long (Medium short) Cross (Recommended series)

执行标准Executive standard: 3A; 适用于Applied for: 3A, BS,AS,SMS,DS,ISO

货号代码Code : F040172



中头直端长度

注意 Note

ΦD=直通规格 Direct specification

Φd=中间异径规格 Medium reducing specification

3=中间长度 Direct length 3mm

L=直通长度 Direct length

壁厚(中间异径规格)

Thickness (Medium reducing specification)

3A , BS,AS

≤3"=1.65mm

4"=2.1mm

5"-6"=2.8mm

SMS/DS/ISO

≤3"=1.65mm

4"=2.1mm

5"-6"=2.8mm

注意: 中间异径壁厚是根据对应的规格壁厚

Note: Thickness of Medium reducing according to relative specification

SIZE	尺寸		
	Φd	L	ΦD
1	19	49.1	25.4
1.25	25.4	47.6	31.8
1.5	25.4	57.2	38.1
	31.8		
2	25.4	76.2	50.8
	31.8		
	38.1		
2.5	25.4	76.2	63.5
	31.8		
	38.1		
	50.8		
3	25.4	82.6	76.2
	31.8		
	38.1		
	50.8		
	63.5		
4	25.4	98.4	101.6
	31.8		
	38.1		
	50.8		
	63.5		
	76.2		
5	25.4	114.3	127.0
	31.8		
	38.1		
	50.8		
	63.5		
	76.2		
6	25.4	127.0	152.4
	31.8		
	38.1		
	50.8		
	63.5		
	76.2		
	101.6		

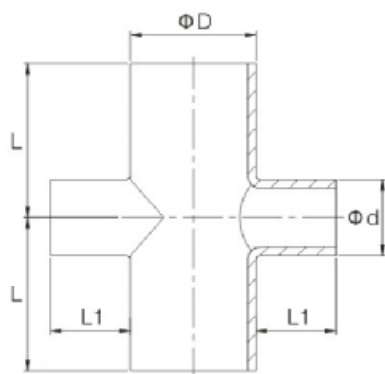
四通系列

Stone series

对焊异径四通(中头长)-(推荐系列) Weld Cross (Equal)(Recommended series)

适用于Applied for: DIN11852

货号代码Code : F020171



注意

ΦD=直通规格 Direct specification

Φd=中间异径规格 Medium reducing specification

L=直通长度 Direct length

L1=中间异径长度 Medium reducing length

中间异径长度 Medium reducing length(L1)

≤ DN32=25mm

DN40-65=30mm

DN80-100=40mm

≥ DN125=50mm

壁厚(中间异径规格)

Thickness(Medium reducing specification)

DN10-DN50=1.5mm

DN65-DN200=2mm

注意: 中间异径壁厚是根据对应的规格壁厚

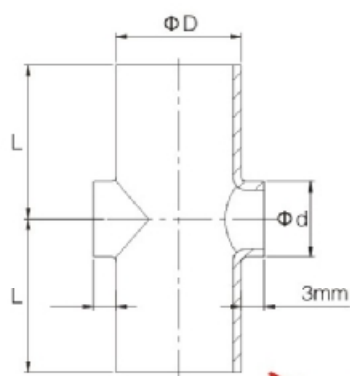
Note: Thickness of Medium reducing according to relative specification

SIZE	尺寸		
	Φd	L	ΦD
DN15	13	35	19
DN20	13	40	22
	19		
DN25	13	50	28
	19		
DN32	13	55	34
	19		
	23		
DN40	26	60	40
	13		
	19		
	22		
DN50	28	70	52
	34		
	40		
	28		
DN65	34	80	70
	40		
	52		
DN80	34	90	85
	40		
	52		
	70		
DN100	40	100	104
	52		
	70		
	85		
DN125	52	187.5	129
	70		
	85		
	104		
DN150	52	225	154
	70		
	85		
	104		
DN200	129	300	204
	85		
	104		
	154		

对焊异径四通(中头短)-(推荐系列) Weld Cross (Medium short)(Recommended series)

适用于Applied for: DIN11852

货号代码Code : F020172



中头直端长度

注意 Note

ΦD=直通规格 Direct specification

Φd=中间异径规格 Medium reducing specification

3=中间长度 Medium length 3mm

L=直通长度 Direct length

壁厚(中间异径规格)

Thickness(Medium reducing specification)

DN10-DN50=1.5mm

DN65-DN200=2mm

注意: 中间异径壁厚是根据对应的规格壁厚

Note: Thickness of Medium reducing according to relative specification

SIZE	尺寸		
	Φd	L	ΦD
DN15	13	35	19
DN20	13	40	22
	19		
DN25	13	50	28
	19		
	22		
DN32	13	55	34
	19		
	23		
	28		
DN40	13	60	40
	19		
	22		
	28		
	34		
DN50	22	70	52
	28		
	34		
	40		
	40		
DN65	28	80	70
	34		
	40		
	52		
DN80	34	90	85
	40		
	52		
	70		
DN100	40	100	104
	52		
	70		
	85		
DN125	52	187.5	129
	70		
	85		
	104		
DN150	52	225	154
	70		
	85		
	104		
	129		
DN200	85	300	204
	104		
	129		
	154		

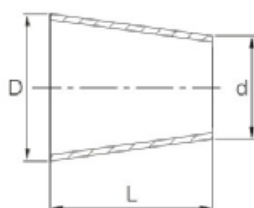
变径系列

Reducer series

短型-对焊-同心大小头-(推荐系列)

Short/welded/concentric reducer(recommended)

执行标准: 3A 适用于: AS1528, BS4825, 3A,SMS-DS



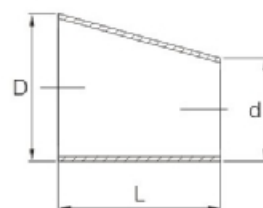
货号代码: F040181

SIZE		尺寸		
大头	小头	L	D	d
0.75	0.5	19.1	19.1	12.7
1.0	0.5	38.1	25.4	12.7
1.0	0.75	19.1	25.4	19.1
1.25	0.5	38.1	31.8	12.7
1.25	0.75	38.1	31.8	19.1
1.25	1.0	19.1	31.8	25.4
1.5	0.5	50.8	38.1	12.7
1.5	0.75	38.1	38.1	19.1
1.5	1.0	38.1	38.1	25.4
1.5	1.25	19.1	38.1	31.8
2.0	0.75	63.5	50.8	19.1
2.0	1.0	50.8	50.8	25.4
2.0	1.25	38.1	50.8	31.8
2.0	1.5	38.1	50.8	38.1
2.5	1.0	76.2	63.5	25.4
2.5	1.25	63.5	63.5	31.8
2.5	1.5	50.8	63.5	38.1
2.5	2.0	38.1	63.5	50.8
3.0	1.0	101.6	76.2	25.4
3.0	1.25	88.9	76.2	31.8
3.0	1.5	76.2	76.2	38.1
3.0	2.0	50.8	76.2	50.8
3.0	2.5	38.1	76.2	63.5
4.0	1.0	152.4	101.6	25.4
4.0	1.25	139.7	101.6	31.8
4.0	1.5	127.0	101.6	38.1
4.0	2.0	101.6	101.6	50.8
4.0	2.5	76.2	101.6	63.5
4.0	3.0	50.8	101.6	76.2
6.0	3.0	152.4	152.4	76.2
6.0	4.0	101.6	152.4	101.6

短型-对焊-偏心大小头-(推荐系列)

Short/welded/eccentric reducer(recommended)

执行标准: 3A 适用于: AS1528, BS4825, 3A,SMS-DS

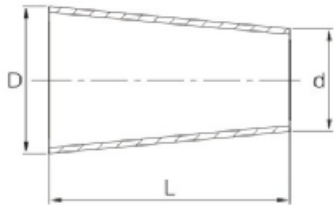


货号代码: F040191

SIZE		尺寸		
大头	小头	L	D	d
0.75	0.5	19.1	19.1	12.7
1.0	0.5	38.1	25.4	12.7
1.0	0.75	19.1	25.4	19.1
1.25	0.5	38.1	31.8	12.7
1.25	0.75	38.1	31.8	19.1
1.25	1.0	19.1	31.8	25.4
1.5	0.5	50.8	38.1	12.7
1.5	0.75	38.1	38.1	19.1
1.5	1.0	38.1	38.1	25.4
1.5	1.25	19.1	38.1	31.8
2.0	0.75	63.5	50.8	19.1
2.0	1.0	50.8	50.8	25.4
2.0	1.25	38.1	50.8	31.8
2.0	1.5	38.1	50.8	38.1
2.5	1.0	76.2	63.5	25.4
2.5	1.25	63.5	63.5	31.8
2.5	1.5	50.8	63.5	38.1
2.5	2.0	38.1	63.5	50.8
3.0	1.0	101.6	76.2	25.4
3.0	1.25	88.9	76.2	31.8
3.0	1.5	76.2	76.2	38.1
3.0	2.0	50.8	76.2	50.8
3.0	2.5	38.1	76.2	63.5
4.0	1.0	152.4	101.6	25.4
4.0	1.25	139.7	101.6	31.8
4.0	1.5	127.0	101.6	38.1
4.0	2.0	101.6	101.6	50.8
4.0	2.5	76.2	101.6	63.5
4.0	3.0	50.8	101.6	76.2
6.0	3.0	152.4	152.4	76.2
6.0	4.0	101.6	152.4	101.6

长型-对焊-同心大小头-(选型系列)
Long/welded/concentric reducer(selected)

执行标准: 3A 适用于: AS1528, BS4825, 3A,SMS-DS

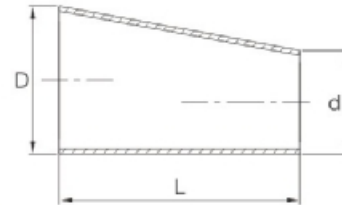


货号代码: F040183

SIZE		尺寸		
大头	小头	L	D	d
0.75	0.5	25.4	19.1	12.7
1.0	0.5	50.8	25.4	12.7
1.0	0.75	25.4	25.4	19.1
1.5	0.5	101.6	38.1	12.7
1.5	0.75	76.2	38.1	19.1
1.5	1.0	50.8	38.1	25.4
2.0	0.75	127.0	50.8	19.1
2.0	1.0	101.6	50.8	25.4
2.0	1.5	50.8	50.8	38.1
2.5	1.0	152.4	63.5	25.4
2.5	1.5	101.6	63.5	38.1
2.5	2.0	50.8	63.5	50.8
3.0	1.0	203.2	76.2	25.4
3.0	1.5	152.4	76.2	38.1
3.0	2.0	101.6	76.2	50.8
3.0	2.5	50.8	76.2	63.5
4.0	1.0	304.8	101.6	25.4
4.0	1.5	254.0	101.6	38.1
4.0	2.0	203.2	101.6	50.8
4.0	2.5	152.4	101.6	63.5
4.0	3.0	101.6	101.6	76.2
6.0	3.0	304.8	152.4	76.2
6.0	4.0	203.2	152.4	101.6

长型-对焊-偏心大小头-(选型系列)
Long/welded/eccentric reducer(selected)

执行标准: 3A 适用于: AS1528, BS4825, 3A,SMS-DS



货号代码: F040193

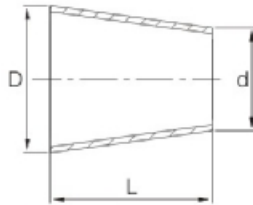
SIZE		尺寸		
大头	小头	L	D	d
0.75	0.5	25.4	19.1	12.7
1.0	0.5	50.8	25.4	12.7
1.0	0.75	25.4	25.4	19.1
1.5	0.5	101.6	38.1	12.7
1.5	0.75	76.2	38.1	19.1
1.5	1.0	50.8	38.1	25.4
2.0	0.75	127.0	50.8	19.1
2.0	1.0	101.6	50.8	25.4
2.0	1.5	50.8	50.8	38.1
2.5	1.0	152.4	63.5	25.4
2.5	1.5	101.6	63.5	38.1
2.5	2.0	50.8	63.5	50.8
3.0	1.0	203.2	76.2	25.4
3.0	1.5	152.4	76.2	38.1
3.0	2.0	101.6	76.2	50.8
3.0	2.5	50.8	76.2	63.5
4.0	1.0	304.8	101.6	25.4
4.0	1.5	254.0	101.6	38.1
4.0	2.0	203.2	101.6	50.8
4.0	2.5	152.4	101.6	63.5
4.0	3.0	101.6	101.6	76.2
6.0	3.0	304.8	152.4	76.2
6.0	4.0	203.2	152.4	101.6

变径系列

Reducer series

对焊-同心大小头-(选型系列)
Welded/concentric reducer(selected)

适用于: ISO1127

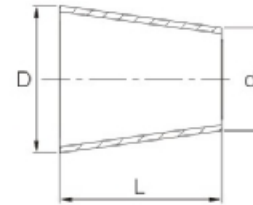


货号代码: F070181

SIZE		尺寸		
大头	小头	L	D	d
21.30	17.2	29.1	21.3	17.2
26.9	17.2	29.1	26.9	17.2
	21.30	16.8	26.9	21.3
33.70	21.30	37.2	33.7	21.3
	26.9	20.4	33.7	26.9
42.4	21.30	42.2	42.4	21.3
	26.9	31.0	42.4	26.9
	33.70	26.1	42.4	33.7
48.3	21.3	54.0	48.3	21.3
	26.9	42.8	48.3	26.9
	33.70	29.2	48.3	33.7
	42.4	17.7	48.3	42.4
57.0	45.0	36.0	57.0	45.0
60.3	21.3	78.0	60.3	21.3
	26.9	66.8	60.3	26.9
	33.70	53.2	60.3	33.7
	42.4	35.8	60.3	42.4
76.2	48.30	36.0	60.3	48.3
	21.3	109.6	76.2	21.3
	26.9	98.4	76.2	26.9
	33.70	84.8	76.2	33.7
	42.4	67.4	76.2	42.4
88.9	48.30	55.6	76.2	48.3
	60.3	31.6	76.2	60.3
	21.3	135.2	88.9	21.3
	26.9	124.0	88.9	26.9
	33.70	110.4	88.9	33.7
108.0	42.4	93.0	88.9	42.4
	60.30	57.2	88.9	60.3
	76.2	38.4	88.9	76.2
	76.2	63.8	108.0	76.2
	88.9	38.2	108.0	88.9
114.3	33.70	161.3	114.3	33.7
	42.4	143.8	114.3	42.4
	48.30	132.0	114.3	48.3
	60.3	108.0	114.3	60.3
	76.2	76.4	114.3	76.2
133.0	88.9	50.8	114.3	88.9
	108.0	50.0	133.0	108.0
	60.3	158.8	139.7	60.3
139.7	76.2	127.2	139.7	76.2
	88.9	101.6	139.7	88.9
	114.3	50.8	139.7	114.3
	108.0	102.0	159.0	108.0
159.0	133.0	52.0	159.0	133.0
	76.2	184.4	168.3	76.2
	88.9	158.8	168.3	88.9
	114.3	108.0	168.3	114.3
168.3	139.7	57.2	168.3	139.7
	88.9	260.4	219.1	88.9
	114.3	209.6	219.1	114.3
	139.7	158.8	219.1	139.7
219.1	168.3	101.6	219.1	168.3

对焊-同心大小头-(推荐系列)
Welded/concentric reducer(recommended)

适用于: DIN11852

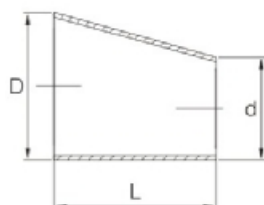


货号代码: F020181

SIZE		尺寸		
大头	小头	L	D	d
DN15	DN10	11.0	19.0	13.0
DN20	DN10	18.0	22.0	13.0
	DN15	7.0	22.0	19.0
DN25	DN10	29.5	28.0	13.0
	DN15	18.0	28.0	19.0
	DN20	11.0	28.0	22.0
DN32	DN15	29.5	34.0	19.0
	DN20	22.0	34.0	22.0
	DN25	11.0	34.0	28.0
DN40	DN15	40.5	40.0	19.0
	DN20	33.0	40.0	22.0
	DN25	22.0	40.0	28.0
	DN32	11.0	40.0	34.0
DN50	DN25	44.0	52.0	28.0
	DN32	33.0	52.0	34.0
	DN40	22.0	52.0	40.0
DN65	DN25	73.0	70.0	28.0
	DN32	62.0	70.0	34.0
	DN40	51.0	70.0	40.0
	DN50	29.0	70.0	52.0
DN80	DN25	101.0	85.0	28.0
	DN32	90.0	85.0	34.0
	DN40	79.5	85.0	40.0
	DN50	56.0	85.0	52.0
	DN65	27.0	85.0	70.0
	DN100	DN25	134.5	104.0
DN32		123.5	104.0	34.0
DN40		113.0	104.0	40.0
DN50		91.5	104.0	52.0
DN65		61.0	104.0	70.0
DN125	DN80	34.0	104.0	85.0
	DN25	180.0	129.0	28.0
	DN32	169.5	129.0	34.0
	DN40	158.5	129.0	40.0
	DN50	137.0	129.0	52.0
	DN65	106.5	129.0	70.0
DN150	DN80	79.0	129.0	85.0
	DN100	45.0	129.0	104.0
	DN125	129.0	154.0	70.0
	DN65	93.0	154.0	85.0
DN200	DN80	93.0	154.0	85.0
	DN100	90.0	154.0	104.0
	DN125	45.0	154.0	129.0
	DN150	134.0	204.0	104.0
DN200	DN125	107.5	204.0	129.0
	DN150	90.0	204.0	154.0

对焊-偏心大小头-(推荐系列)
Welded/eccentric reducer(recommended)

适用于: DIN11852



货号代码: F020191

SIZE		尺寸		
大头	小头	L	D	d
DN15	DN10	16.5	19.0	13.0
DN20	DN10	27.5	22.0	13.0
	DN15	11.0	22.0	19.0
DN25	DN15	27.5	28.0	19.0
	DN20	16.5	28.0	22.0
DN32	DN20	33.0	34.0	22.0
	DN25	16.5	34.0	28.0
DN40	DN25	33.0	40.0	28.0
	DN32	16.5	40.0	34.0
DN50	DN25	66.0	52.0	28.0
	DN32	49.5	52.0	34.0
	DN40	33.0	52.0	40.0
DN65	DN40	75.0	70.0	40.0
	DN50	44.0	70.0	52.0
DN80	DN50	88.0	85.0	52.0
	DN65	41.2	85.0	70.0
DN100	DN65	94.0	104.0	70.0
	DN80	52.5	104.0	85.0
DN125	DN80	121.0	129.0	85.0
	DN100	68.5	129.0	104.0
DN150	DN100	137.0	154.0	104.0
	DN125	68.5	154.0	129.0



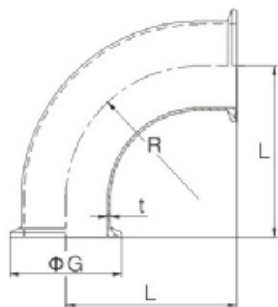
卡箍管件

Clamped pipe fittings

90° 卡箍弯头-(推荐系列) 90° clamped elbow (recommended)

执行标准Executive standard: 3A; 适用于Applied for: AS1528, BS4825, 3A,SMS-DS(R=1.5D)

3A货号代码Code : F040103

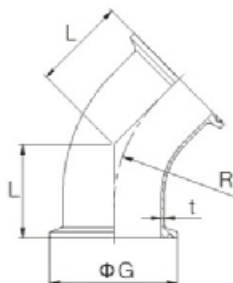


SIZE	尺寸		
	R	L	G
0.5	19.1	31.8	25.4
0.75	28.6	41.4	25.4
0.5	19.1	47.7	50.5
0.75	28.6	57.2	50.5
1.0	38.1	50.8	50.5
1.25	47.6	60.3	50.5
1.5	57.2	69.9	50.5
2.0	76.2	88.9	64.0
2.5	95.3	108.0	77.5
3.0	114.3	127.0	91.0
4.0	152.4	168.2	119.0
5.0	190.5	212	145.0
5.0	190.5	212	155.0
6.0	228.6	250	167.0
6.0	228.6	250	183.0

45° 卡箍弯头-(推荐系列) 45° clamped elbow (recommended)

执行标准Executive standard: 3A; 适用于Applied for: AS1528, BS4825, 3A,SMS-DS(R=1.5D)

3A货号代码Code : F040113

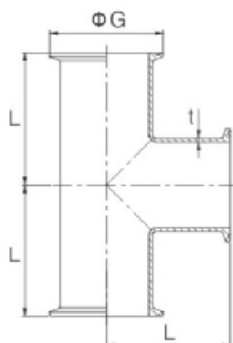


SIZE	尺寸		
	R	L	G
0.5	19.1	20.6	25.4
0.75	28.6	24.5	25.4
0.5	19.1	36.5	50.5
0.75	28.6	40.4	50.5
1.0	38.1	28.5	50.5
1.25	47.6	32.5	50.5
1.5	57.2	36.4	50.5
2.0	76.2	44.5	64.0
2.5	95.3	52.3	77.5
3.0	114.3	60.2	91.0
4.0	152.4	79.0	119.0
5.0	190.5	100.4	145.0
5.0	190.5	100.4	155.0
6.0	228.6	116.2	167.0
6.0	228.6	116.2	183.0

长型卡箍三通(中头等长)-(推荐系列) Long clamped tee (short middle port)/(recommended)

执行标准Executive standard: 3A; 适用于Applied for: AS1528, BS4825, 3A,SMS-DS(R=1.5D)

货号代码Code : F040133

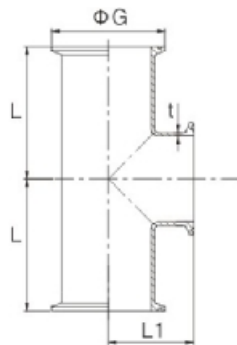


SIZE	尺寸	
	L	G
0.5	61.7	25.4
0.75	61.7	25.4
0.5	61.7	50.5
0.75	61.7	50.5
1.0	61.7	50.5
1.25	60.3	50.5
1.5	69.9	50.5
2.0	88.9	64.0
2.5	88.9	77.5
3.0	95.3	91.0
4.0	114.2	119.0
5.0	135.8	145.0
5.0	135.8	155.0
6.0	148.5	167.0
6.0	148.5	183.0

长型卡箍三通(中头短)-(推荐系列) Long clamped tee (equilong middle port)/(recommended)

执行标准Executive standard: 3A; 适用于Applied for: AS1528, BS4825, 3A,SMS-DS(R=1.5D)

货号代码Code : F040134

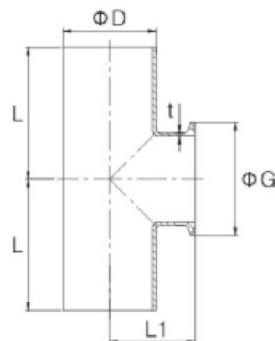


SIZE	尺寸		
	L	L1	G
0.5	61.7	22.1	25.4
0.75	61.7	25.2	25.4
0.5	61.7	22.1	50.5
0.75	61.7	25.2	50.5
1.0	61.7	28.4	50.5
1.25	60.4	31.6	50.5
1.5	69.9	34.8	50.5
2.0	88.9	41.1	64.0
2.5	88.9	47.5	77.5
3.0	95.3	53.8	91.0
4.0	114.2	69.6	119.0
5.0	135.8	88.0	145.0
5.0	135.8	88.0	155.0
6.0	148.5	100.7	167.0
6.0	148.5	100.7	183.0

两头对焊-中头卡箍(中头短)-三通-(推荐系列) Welded tee (short clamped middle port)/(recommended)

执行标准Executive standard: 3A; 适用于Applied for: AS1528, BS4825, 3A,SMS-DS

货号代码Code : F040136



SIZE	尺寸		
	L	L1	G
0.5	49.0	22.1	25.4
0.75	49.0	25.2	25.4
0.5	49.0	22.1	50.5
0.75	49.0	25.2	50.5
1.0	49.0	28.4	50.5
1.25	47.7	31.6	50.5
1.5	57.2	34.8	50.5
2.0	76.2	41.1	64.0
2.5	76.2	47.5	77.5
3.0	82.6	53.8	91.0
4.0	98.4	69.6	119.0
5.0	114.3	88	145.0
5.0	114.3	88	155.0
6.0	127.0	100.7	167.0
6.0	127.0	100.7	183.0

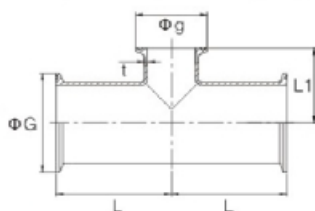


卡箍管件

Clamped pipe fittings

异径卡箍三通(中头短) Reducing clamped tee (short middle port)

执行标准Executive standard: 3A;
适用于Applied for: AS1528, BS4825, 3A,SMS-DS

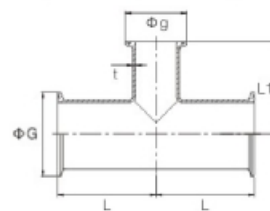


货号代码Code : F040164

SIZE		尺寸			
直通	异径通	直通长度	异径长度	直通卡盘	异径卡盘
		L	L1	G	g
25.4	19	61.8	28.4	50.5	50.5
31.8	25.4	60.3	31.6	50.5	50.5
38.1	25.4	69.9	34.8	50.5	50.5
	31.8	69.9	34.8	50.5	50.5
50.8	25.4	88.9	41.1	64	50.5
	31.8	88.9	41.1	64	50.5
	38.1	88.9	41.1	64	50.5
63.5	25.4	88.9	47.5	77.5	50.5
	31.8	88.9	47.5	77.5	50.5
	38.1	88.9	47.5	77.5	50.5
	50.8	88.9	47.5	77.5	64
76.2	25.4	95.3	53.8	91	50.5
	31.8	95.3	53.8	91	50.5
	38.1	95.3	53.8	91	50.5
	50.8	95.3	53.8	91	64
	63.5	95.3	53.8	91	77.5
101.6	25.4	114.2	66.5	119	50.5
	31.8	114.2	66.5	119	50.5
	38.1	114.2	66.5	119	50.5
	50.8	114.2	66.5	119	64
	63.5	114.2	66.5	119	77.5
	76.2	114.2	66.5	119	91
127.0	25.4	135.8	79.2	145	50.5
	31.8	135.8	79.2	145	50.5
	38.1	135.8	79.2	145	50.5
	50.8	135.8	79.2	145	64
	63.5	135.8	79.2	145	77.5
	76.2	135.8	79.2	145	91
	101.6	135.8	82.3	145	119
152.4	25.4	148.5	91.9	167	50.5
	31.8	148.5	91.9	167	50.5
	38.1	148.5	91.9	167	50.5
	50.8	148.5	91.9	167	64
	63.5	148.5	91.9	167	77.5
	76.2	148.5	91.9	167	91
	101.6	148.5	95.0	167	119

异径卡箍三通(中头长)-(推荐系列) Reducing clamped tee (long middle port)/(recommended)

执行标准Executive standard: 3A;
适用于Applied for: AS1528, BS4825, 3A,SMS-DS



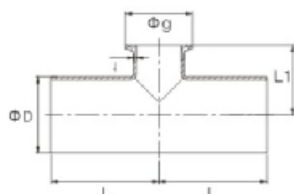
货号代码Code : F040163

SIZE		尺寸			
直通	异径通	直通长度	异径长度	直通卡盘	异径卡盘
		L	L1	G	g
25.4	19	61.8	50.4	50.5	25.4
31.8	25.4	60.3	53.6	50.5	50.5
38.1	25.4	69.9	56.8	50.5	50.5
	31.8	69.9	56.8	50.5	50.5
50.8	25.4	88.9	68.1	64	50.5
	31.8	88.9	68.1	64	50.5
	38.1	88.9	68.1	64	50.5
63.5	25.4	88.9	74.5	77.5	50.5
	31.8	88.9	74.5	77.5	50.5
	38.1	88.9	74.5	77.5	50.5
	50.8	88.9	74.5	77.5	64
76.2	25.4	95.3	80.8	91	50.5
	31.8	95.3	80.8	91	50.5
	38.1	95.3	80.8	91	50.5
	50.8	95.3	80.8	91	64
	63.5	95.3	80.8	91	77.5
101.6	25.4	114.2	103.5	119	50.5
	31.8	114.2	103.5	119	50.5
	38.1	114.2	103.5	119	50.5
	50.8	114.2	103.5	119	64
	63.5	114.2	103.5	119	77.5
	76.2	114.2	103.5	119	91
127.0	25.4	135.8	126.2	145	50.5
	31.8	135.8	126.2	145	50.5
	38.1	135.8	126.2	145	50.5
	50.8	135.8	126.2	145	64
	63.5	135.8	126.2	145	77.5
	76.2	135.8	126.2	145	91
	101.6	135.8	129.3	145	119
152.4	25.4	148.5	138.9	167	50.5
	31.8	148.5	138.9	167	50.5
	38.1	148.5	138.9	167	50.5
	50.8	148.5	138.9	167	64
	63.5	148.5	138.9	167	77.5
	76.2	148.5	138.9	167	91
	101.6	148.5	142.0	167	119

两头对焊-中头卡箍(中头短)-异径三通-(推荐系列)
Welded reducing tee (short clamped middle port)/(recommended)

执行标准Executive standard: 3A;

适用于Applied for: AS1528, BS4825, 3A,SMS-DS(R=1.5D)



货号代码Code : F040166

SIZE		尺寸		
直通	异径通	直通长度	异径长度	异径卡盘
		L	L1	g
25.4	19	49.0	28.4	25.4
31.8	25.4	47.6	31.6	50.5
38.1	25.4	57.2	34.8	50.5
	31.8	57.2	34.8	50.5
50.8	25.4	76.2	41.1	50.5
	31.8	76.2	41.1	50.5
	38.1	76.2	41.1	50.5
63.5	25.4	76.2	47.5	50.5
	31.8	76.2	47.5	50.5
	38.1	76.2	47.5	50.5
	50.8	76.2	47.5	64.0
76.2	25.4	82.6	53.8	50.5
	31.8	82.6	53.8	50.5
	38.1	82.6	53.8	50.5
	50.8	82.6	53.8	64.0
	63.5	82.6	53.8	77.5
101.6	25.4	98.4	66.5	50.5
	31.8	98.4	66.5	50.5
	38.1	98.4	66.5	50.5
	50.8	98.4	66.5	64.0
	63.5	98.4	66.5	77.5
	76.2	98.4	66.5	91.0
127.0	25.4	114.3	79.2	50.5
	31.8	114.3	79.2	50.5
	38.1	114.3	79.2	50.5
	50.8	114.3	79.2	64.0
	63.5	114.3	79.2	77.5
	76.2	114.3	79.2	91.0
	101.6	114.3	82.3	119.0
152.4	25.4	127.0	91.9	50.5
	31.8	127.0	91.9	50.5
	38.1	127.0	91.9	50.5
	50.8	127.0	91.9	64.0
	63.5	127.0	91.9	77.5
	76.2	127.0	91.9	91.0
	101.6	127.0	95.0	119.0



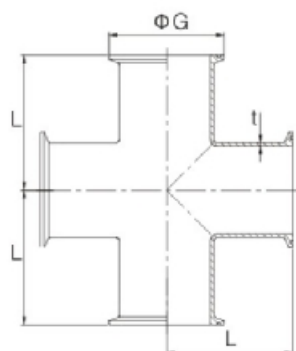
卡箍管件

Clamped pipe fittings

卡箍四通(中头等长)-(推荐系列) Clamped cross (equilong middle port)/(recommended)

执行标准Executive standard: 3A; 适用于Applied for: AS1528, BS4825, 3A,SMS-DS(R=1.5D)

货号代码Code : F040153

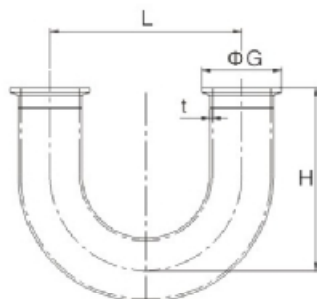


SIZE	尺寸	
	L	G
0.5	61.7	25.4
0.75	61.7	25.4
0.5	61.7	50.5
0.75	61.7	50.5
1.0	61.7	50.5
1.25	60.3	50.5
1.5	69.9	50.5
2.0	88.9	64.0
2.5	88.9	77.5
3.0	95.3	91.0
4.0	114.2	119.0
5.0	135.8	145.0
5.0	135.8	155.0
6.0	148.5	167.0
6.0	148.5	183.0

180° 卡箍弯头-(推荐系列) 180° clamped elbow (recommended)

执行标准Executive standard: 3A; 适用于Applied for: AS1528, BS4825, 3A,SMS-DS(R=1.5D)

货号代码Code : F0401A2

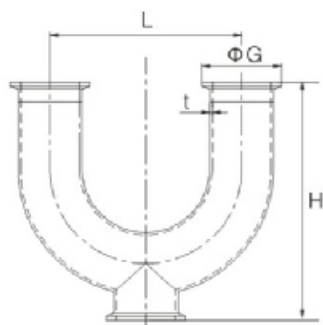


SIZE	尺寸		
	L	H	G
1"	76.2	80.8	50.5
1 1/4"	95.3	90.3	50.5
1 1/2"	114.3	99.9	50.5
2"	152.4	118.9	64.0
2 1/2"	190.5	138.0	77.5
3"	228.6	157.0	91.0
4"	304.8	198.2	119.0
5"	381.0	252.0	145.0
6"	457.2	290.1	167.0

卡箍-U型-三通-(推荐系列) Clamped U-type tee (recommended)

执行标准Executive standard: 3A; 适用于Applied for: AS1528, BS4825, 3A,SMS-DS(R=1.5D)

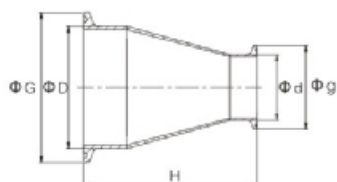
货号代码Code : F0401A4



SIZE	尺寸		
	L	G	H
1"	76.2	50.5	108.2
1 1/4"	95.3	50.5	120.9
1 1/2"	114.3	50.5	133.6
2"	152.4	64.0	159.0
2 1/2"	190.5	77.5	184.4
3"	228.6	91.0	209.8
4"	304.8	119.0	266.8

短型-卡箍-同心大小头-(推荐系列)
Short clamped concentric reducer (recommended)

执行标准Executive standard: 3A;
 适用于Applied for: AS1528, BS4825, 3A,SMS-DS(R=1.5D)

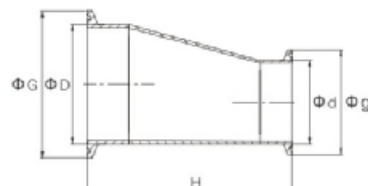


货号代码Code : F040182

SIZE		尺寸		
大头	小头	大头(G)	长度(H)	小头(g)
0.75	0.5	25.4	44.5	25.4
1.0	0.5	50.5	63.5	25.4
1.0	0.75	50.5	44.5	25.4
1.25	0.5	50.5	63.5	25.4
1.25	0.75	50.5	63.5	25.4
1.25	1.0	50.5	44.5	50.5
1.5	0.5	50.5	76.2	25.4
1.5	0.75	50.5	63.5	25.4
1.5	1.0	50.5	63.5	50.5
1.5	1.25	50.5	44.5	50.5
2.0	0.75	64.0	88.9	25.4
2.0	1.0	64.0	76.2	50.5
2.0	1.25	64.0	63.5	50.5
2.0	1.5	64.0	63.5	50.5
2.5	1.0	77.5	101.6	50.5
2.5	1.25	77.5	88.9	50.5
2.5	1.5	77.5	76.2	50.5
2.5	2.0	77.5	63.5	64.0
3.0	1.0	91.0	127.0	50.5
3.0	1.25	91.0	114.3	50.5
3.0	1.5	91.0	101.6	50.5
3.0	2.0	91.0	76.2	64.0
3.0	2.5	91.0	63.5	77.5
4.0	1.0	119.0	180.9	50.5
4.0	1.25	119.0	168.2	50.5
4.0	1.5	119.0	155.5	50.5
4.0	2.0	119.0	130.1	64.0
4.0	2.5	119.0	104.7	77.5
4.0	3.0	119.0	79.3	91.0
6.0	3.0	167.0	186.6	91.0
6.0	4.0	167.0	138.9	119.0

短型-卡箍-偏心大小头-(推荐系列)
Short clamped eccentric reducer (recommended)

执行标准Executive standard:
 3A; 适用于Applied for: AS1528, BS4825, 3A,SMS-DS(R=1.5D)



货号代码Code : F040192

SIZE		尺寸		
大头	小头	大头(G)	长度(H)	小头(g)
0.75	0.5	25.4	44.5	25.4
1.0	0.5	50.5	63.5	25.4
1.0	0.75	50.5	44.5	25.4
1.25	0.5	50.5	63.5	25.4
1.25	0.75	50.5	63.5	25.4
1.25	1.0	50.5	44.5	50.5
1.5	0.5	50.5	76.2	25.4
1.5	0.75	50.5	63.5	25.4
1.5	1.0	50.5	63.5	50.5
1.5	1.25	50.5	44.5	50.5
2.0	0.75	64.0	88.9	25.4
2.0	1.0	64.0	76.2	50.5
2.0	1.25	64.0	63.5	50.5
2.0	1.5	64.0	63.5	50.5
2.5	1.0	77.5	101.6	50.5
2.5	1.25	77.5	88.9	50.5
2.5	1.5	77.5	76.2	50.5
2.5	2.0	77.5	63.5	64.0
3.0	1.0	91.0	127.0	50.5
3.0	1.25	91.0	114.3	50.5
3.0	1.5	91.0	101.6	50.5
3.0	2.0	91.0	76.2	64.0
3.0	2.5	91.0	63.5	77.5
4.0	1.0	119.0	180.9	50.5
4.0	1.25	119.0	168.2	50.5
4.0	1.5	119.0	155.5	50.5
4.0	2.0	119.0	130.1	64.0
4.0	2.5	119.0	104.7	77.5
4.0	3.0	119.0	79.3	91.0
6.0	3.0	167.0	186.6	91.0
6.0	4.0	167.0	138.9	119.0

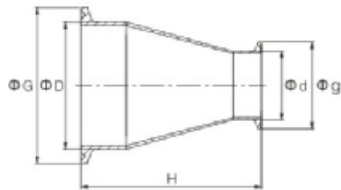


卡箍管件

Clamped pipe fittings

长型-卡箍-同心大小头-(选型系列) Long clamped concentric reducer (option)

执行标准Executive standard: 3A;
适用于Applied for: AS1528, BS4825, 3A,SMS-DS(R=1.5D)

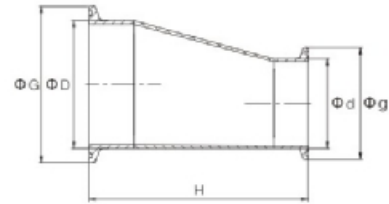


货号代码Code : F040184

SIZE		尺寸		
大头	小头	大头(G)	长度(H)	小头(g)
0.75	0.5	25.4	50.8	25.4
1.0	0.5	50.5	76.2	25.4
1.0	0.75	50.5	50.8	25.4
1.5	0.5	50.5	127.0	25.4
1.5	0.75	50.5	101.6	25.4
1.5	1.0	50.5	76.2	50.5
2.0	1.0	64.0	127.0	50.5
2.0	1.5	64.0	76.2	50.5
2.5	1.0	77.5	177.8	50.5
2.5	1.5	77.5	127.0	50.5
2.5	2.0	77.5	76.2	64.0
3.0	1.0	91.0	228.6	50.5
3.0	1.5	91.0	177.8	50.5
3.0	2.0	91.0	127.0	64.0
3.0	2.5	91.0	76.2	77.5
4.0	1.0	119.0	333.3	50.5
4.0	1.5	119.0	282.5	50.5
4.0	2.0	119.0	231.7	64.0
4.0	2.5	119.0	180.9	77.5
4.0	3.0	119.0	130.1	91.0
6.0	3.0	167.0	339.0	91.0
6.0	4.0	167.0	240.5	119.0

长型-卡箍-偏心大小头-(选型系列) Long clamped eccentric reducer (option)

执行标准Executive standard: 3A;
适用于Applied for: AS1528, BS4825, 3A,SMS-DS(R=1.5D)



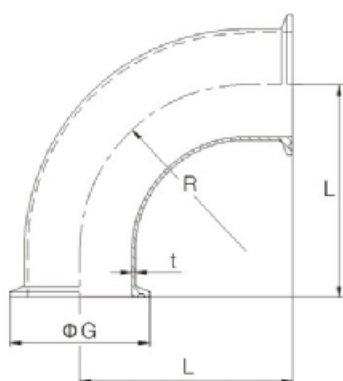
货号代码Code : F040194

SIZE		尺寸		
大头	小头	大头(G)	长度(H)	小头(g)
0.75	0.5	25.4	50.8	25.4
1.0	0.5	50.5	76.2	25.4
1.0	0.75	50.5	50.8	25.4
1.5	0.5	50.5	127.0	25.4
1.5	0.75	50.5	101.6	25.4
1.5	1.0	50.5	76.2	50.5
2.0	1.0	64.0	127.0	50.5
2.0	1.5	64.0	76.2	50.5
2.5	1.0	77.5	177.8	50.5
2.5	1.5	77.5	127.0	50.5
2.5	2.0	77.5	76.2	64.0
3.0	1.0	91.0	228.6	50.5
3.0	1.5	91.0	177.8	50.5
3.0	2.0	91.0	127.0	64.0
3.0	2.5	91.0	76.2	77.5
4.0	1.0	119.0	333.3	50.5
4.0	1.5	119.0	282.5	50.5
4.0	2.0	119.0	231.7	64.0
4.0	2.5	119.0	180.9	77.5
4.0	3.0	119.0	130.1	91.0
6.0	3.0	167.0	339.0	91.0
6.0	4.0	167.0	240.5	119.0

90° 卡箍弯头-(选型系列) 90° clamped elbow (option)

适用于Applied for: ISO1127

货号代码Code : F070103

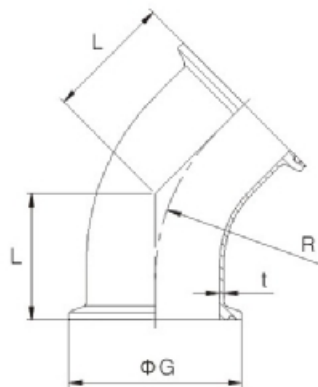


SIZE	尺寸		
	R	L	G
17.2	27.5	49.0	50.5
21.3	28.0	49.5	50.5
26.9	29.0	50.5	50.5
33.7	38.0	59.5	50.5
42.4	48.0	69.5	64.0
45.0	57.5	79.0	64.0
48.3	57.0	78.5	64.0
57.0	68.0	89.5	77.5
60.3	76.0	97.5	77.5
76.1	95.0	116.5	91.0
89.0	103.5	125.0	106.0
108.0	152.0	173.5	119.0
114.3	152.0	173.5	130.0
133.0	190.0	218.0	155.0
139.7	190.0	218.0	155.0
159.0	228.6	256.6	183.0
168.3	229.0	257.0	183.0
219.1	305.0	333.0	233.5

45° 卡箍弯头-(选型系列) 45° clamped elbow (option)

适用于Applied for: ISO1127

货号代码Code : F070113



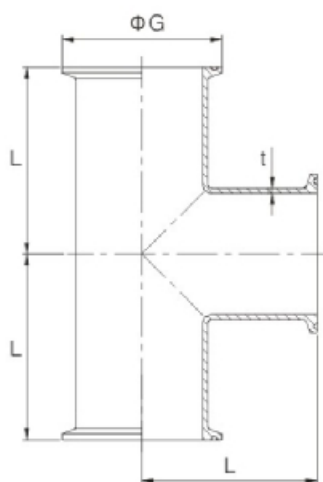
SIZE	尺寸		
	R	L	G
17.2	27.5	32.9	50.5
21.3	28.0	33.1	50.5
26.9	29.0	33.5	50.5
33.7	38.0	37.2	50.5
42.4	48.0	41.4	64.0
45.0	57.5	45.3	64.0
48.3	57.0	45.1	64.0
57.0	68.0	49.6	77.5
60.3	76.0	53.0	77.5
76.1	95.0	60.9	91.0
89.0	103.5	64.4	106.0
108.0	152.0	84.5	119.0
114.3	152.0	84.5	130.0
133.0	190.0	106.7	155.0
139.7	190.0	106.7	155.0
159.0	228.6	122.9	183.0
168.3	229.0	122.9	183.0
219.1	305.0	154.3	233.5

卡箍管件 Clamped pipe fittings

卡箍三通-(选型系列) Clamped tee (option)

适用于Applied for: ISO1127

货号代码Code : F070123



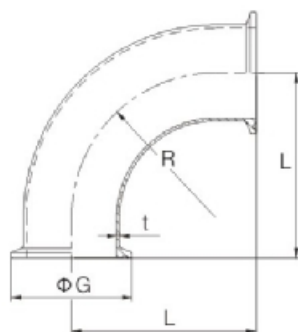
SIZE	尺寸	
	L	G
17.2	49.0	50.5
21.3	49.5	50.5
26.9	50.5	50.5
33.7	59.5	50.5
42.4	69.5	64.0
45.0	74.0	64.0
48.3	78.5	64.0
57.0	89.5	77.5
60.3	85.5	77.5
76.1	97.5	91.0
89.0	125.0	106.0
108.0	126.5	119.0
114.3	126.5	130.0
133.0	163.0	155.0
139.7	168.0	155.0
159.0	168.0	183.0
168.3	198.0	183.0
219.1	248.0	233.5



90° 卡箍弯头-(DIN 推荐系列) 90° clamped elbow (DIN recommended)

适用于Applied for: DIN11852

货号代码Code : F020103

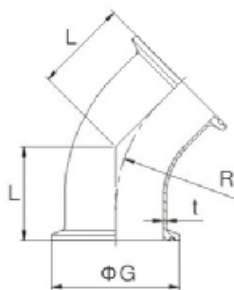


SIZE	R	长度	卡盘
		L	G
DN10	26.0	44.0	34.0
DN15	35.0	53.0	34.0
DN20	40.0	58.0	34.0
DN25	50.0	71.5	50.5
DN32	55.0	76.5	50.5
DN40	60.0	81.5	50.5
DN50	70.0	91.5	64.0
DN65	80.0	108.0	91.0
DN80	90.0	118.0	106.0
DN100	100.0	128.0	119.0
DN125	187.5	215.5	145.0
DN150	225.0	253.0	167.0

45° 卡箍弯头 45° clamped elbow

适用于Applied for: DIN11852

货号代码Code : F020113

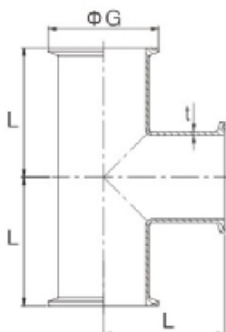


SIZE	R	长度	卡盘
		L	G
DN10	26.0	28.8	34.0
DN15	35.0	32.5	34.0
DN20	40.0	34.6	34.0
DN25	50.0	42.2	50.5
DN32	55.0	44.3	50.5
DN40	60.0	46.4	50.5
DN50	70.0	50.5	64.0
DN65	80.0	61.1	91.0
DN80	90.0	65.3	106.0
DN100	100.0	69.4	119.0
DN125	187.5	105.7	145.0
DN150	225.0	121.2	167.0

卡箍三通(中头长)-(推荐系列) Clamped tee (long middle port)/(recommended)

适用于Applied for: DIN11852

货号代码Code : F020123



SIZE	长度	卡盘
	L	G
DN10	44.0	34.0
DN15	53.0	34.0
DN20	58.0	34.0
DN25	71.5	50.5
DN32	76.5	50.5
DN40	81.5	50.5
DN50	91.5	64.0
DN65	108.0	91.0
DN80	118.0	106.0
DN100	128.0	119.0
DN125	215.5	145.0
DN150	253.0	167.0

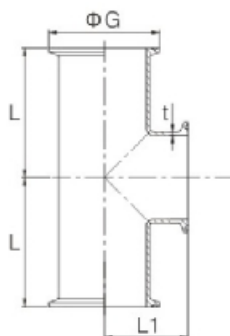
卡箍管件

Clamped pipe fittings

卡箍三通(中头短) Clamped tee (short middle port)

适用于Applied for: DIN11852

货号代码Code : F020124

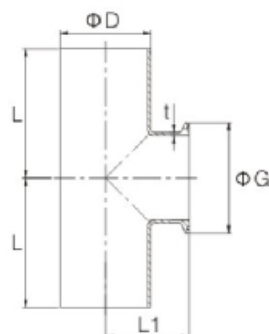


SIZE	长度		卡盘
	L	L1	G
DN10	44.0	27.5	34.0
DN15	53.0	30.5	34.0
DN20	58.0	32.0	34.0
DN25	71.5	38.5	50.5
DN32	76.5	41.5	50.5
DN40	81.5	44.5	50.5
DN50	91.5	50.5	64.0
DN65	108.0	66.0	91.0
DN80	118.0	73.5	106.0
DN100	128.0	83.0	119.0
DN125	215.5	95.5	145.0
DN150	253.0	108.0	167.0

两头对焊-中头卡箍(中头短)-三通-(推荐系列) Welded tee (short clamped middle port)/(recommended)

适用于Applied for: DIN11852

货号代码Code : F020126

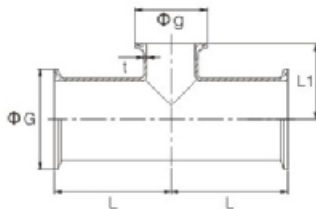


SIZE	长度		卡盘
	L	L1	G
DN10	26.0	27.5	34.0
DN15	35.0	30.5	34.0
DN20	40.0	32.0	34.0
DN25	50.0	38.5	50.5
DN32	55.0	41.5	50.5
DN40	60.0	44.5	50.5
DN50	70.0	50.5	64.0
DN65	80.0	66.0	91.0
DN80	90.0	73.5	106.0
DN100	100.0	83.0	119.0
DN125	187.5	95.5	145.0
DN150	225.0	108.0	167.0



异径-卡箍三通(中头短)-(推荐系列)
Reducing clamped tee (short middle port)/(recommended)

适用于Applied for: DIN11852

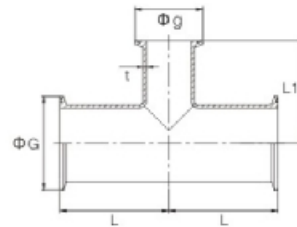


货号代码Code : F020164

SIZE		直通卡盘	长度	异径卡盘	异径长度
直通	异径通	G	L	g	L1
DN15	DN10	34	53.0	34	30.5
DN20	DN10	34	58.0	34	32.0
	DN15				32.0
DN25	DN10	50.5	71.5	34	35.0
	DN15				35.0
	DN20				35.0
DN32	DN10	50.5	76.5	34	38.0
	DN15				38.0
	DN20				38.0
	DN25				50.5
DN40	DN10	50.5	81.5	34	41.0
	DN15				41.0
	DN20				41.0
	DN25			50.5	44.5
	DN32				44.5
DN50	DN20	64	91.5	34	47.0
	DN25				50.5
	DN32			50.5	50.5
	DN40				50.5
DN65	DN25	91	108.0	50.5	59.5
	DN32				59.5
	DN40				59.5
	DN50			64	59.5
DN80	DN32	106	118.0	50.5	67.0
	DN40				67.0
	DN50			64	67.0
	DN65				91
DN100	DN40	119	128.0	50.5	76.5
	DN50				64
	DN65			91	83.0
	DN80				106
DN125	DN50	145	215.5	64	89.0
	DN65				91
	DN80			106	95.5
	DN100				119
DN150	DN50	167	253.0	64	101.5
	DN65				91
	DN80			106	108.0
	DN100				119
	DN125			145	108.0

异径卡箍三通(中头长)-(推荐系列)
Reducing clamped tee (long middle port)/(recommended)

适用于Applied for: DIN11852



货号代码Code : F020163

SIZE		直通卡盘	长度	异径卡盘	异径长度
直通	异径通	G	L	g	L1
DN15	DN10	34	53.0	34	52.5
DN20	DN10	34	58.0	34	54.0
	DN15				54.0
DN25	DN10	50.5	71.5	34	57.0
	DN15				57.0
	DN20				57.0
DN32	DN10	50.5	76.5	34	60.0
	DN15				60.0
	DN20				60.0
	DN25				50.5
DN40	DN10	50.5	81.5	34	68.0
	DN15				68.0
	DN20				68.0
	DN25			50.5	71.5
	DN32				71.5
DN50	DN20	64	91.5	34	74.0
	DN25				77.5
	DN32			50.5	77.5
	DN40				77.5
DN65	DN25	91	108.0	50.5	86.5
	DN32				86.5
	DN40				86.5
	DN50			64	86.5
DN80	DN32	106	118.0	50.5	104.0
	DN40				104.0
	DN50			64	104.0
	DN65				91
DN100	DN40	119	128.0	50.5	113.5
	DN50				64
	DN65			91	120.0
	DN80				106
DN125	DN50	145	215.5	64	136.0
	DN65				91
	DN80			106	142.5
	DN100				119
DN150	DN50	167	253.0	64	148.5
	DN65				91
	DN80			106	155.0
	DN100				119
	DN125			145	155.0

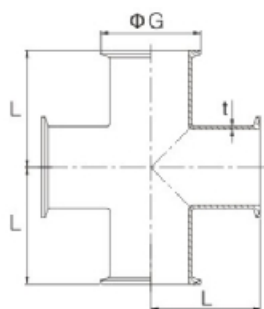
卡箍管件

Clamped pipe fittings

卡箍四通(中头等长)-(推荐系列) Clamped cross (equilong middle port)/(recommended)

适用于Applied for: DIN11852

货号代码Code : F0201A3

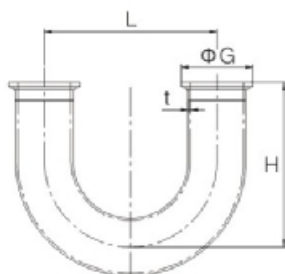


SIZE	长度		卡盘
	L		G
DN10	44.0		34.0
DN15	53.0		34.0
DN20	58.0		34.0
DN25	71.5		50.5
DN32	76.5		50.5
DN40	81.5		50.5
DN50	91.5		64.0
DN65	108.0		91.0
DN80	118.0		106.0
DN100	128.0		119.0
DN125	215.5		145.0
DN150	253.0		167.0

180° 卡箍弯头-(推荐系列) 180° clamped elbow (recommended)

适用于Applied for: DIN11852

货号代码Code : F0201A2

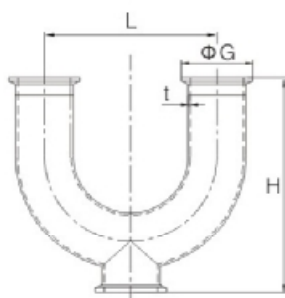


SIZE	长度		卡盘
	L	H	G
DN20	80.0	83.0	34.0
DN25	100.0	111.5	50.5
DN32	110.0	116.5	50.5
DN40	120.0	121.5	50.5
DN50	140.0	131.5	64.0
DN65	160.0	148.0	91.0
DN80	180.0	173.0	106.0
DN100	200.0	183.0	119.0

卡箍-U型-三通-(推荐系列) Clamped U-type tee (recommended)

适用于Applied for: DIN11852

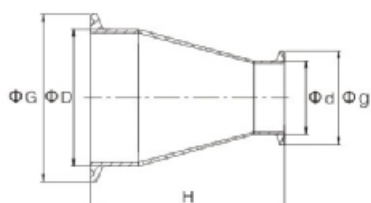
货号代码Code : F0201A4



SIZE	长度		卡盘
	L	H	G
DN25	100.0	149.0	50.5
DN32	110.0	157.0	50.5
DN40	120.0	165.0	50.5
DN50	140.0	181.0	64.0
DN65	160.0	213.0	91.0
DN80	180.0	245.5	106.0
DN100	200.0	265.0	119.0

卡箍-同心大小头-(推荐系列)
Clamped concentric reducer (recommended)

适用于Applied for: DIN11852

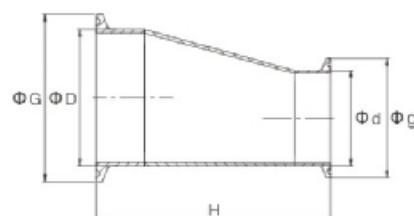


货号代码Code : F020182

SIZE		尺寸		
大头	小头	大头卡盘 G	长度 H	小头卡盘 g
DN15	DN10	34.0	47.0	34.0
DN20	DN10	34.0	54.0	34.0
	DN15	34.0	43.0	34.0
DN25	DN10	50.5	69.0	34.0
	DN15	50.5	57.5	34.0
DN32	DN20	50.5	50.5	34.0
	DN15	50.5	69.0	34.0
DN40	DN25	50.5	61.5	34.0
	DN20	50.5	54.0	50.5
	DN15	50.5	80.0	34.0
DN50	DN25	50.5	72.5	34.0
	DN20	50.5	61.5	50.5
	DN32	50.5	54.0	50.5
DN65	DN25	64.0	87.0	50.5
	DN32	64.0	76.0	50.5
	DN40	64.0	65.0	50.5
DN80	DN25	91.0	122.5	50.5
	DN32	91.0	111.5	50.5
	DN40	91.0	100.5	50.5
	DN50	91.0	78.5	64.0
DN100	DN25	106.0	150.5	50.5
	DN32	106.0	139.5	50.5
	DN40	106.0	129.0	50.5
	DN50	106.0	105.5	64.0
	DN65	106.0	83.0	91.0
DN125	DN25	119.0	184.0	50.5
	DN32	119.0	173.0	50.5
	DN40	119.0	162.5	50.5
	DN50	119.0	141.0	64.0
	DN65	119.0	117.0	91.0
DN150	DN80	119.0	90.0	106.0
	DN25	145.0	229.5	50.5
	DN32	145.0	219.0	50.5
	DN40	145.0	208.0	50.5
	DN50	145.0	186.5	64.0
	DN65	145.0	162.5	91.0
DN150	DN80	145.0	135.0	106.0
	DN100	145.0	101.0	119.0
	DN65	167.0	185.0	91.0
	DN80	167.0	149.0	106.0
DN150	DN100	167.0	146.0	119.0
	DN125	167.0	101.0	145.0

卡箍-偏心大小头-(推荐系列)
Clamped eccentric reducer (recommended)

适用于Applied for: DIN11852



货号代码Code : F020192

SIZE		尺寸		
大头	小头	大头卡盘 G	长度 H	小头卡盘 g
DN15	DN10	34.0	52.5	34.0
DN20	DN10	34.0	63.5	34.0
	DN15	34.0	47.0	34.0
DN25	DN15	34.0	67.0	34.0
	DN20	34.0	56.0	34.0
DN32	DN20	34.0	72.5	34.0
	DN25	50.5	59.5	50.5
DN40	DN25	50.5	76.0	50.5
	DN32	50.5	59.5	50.5
DN50	DN25	64.0	109.0	50.5
	DN32	64.0	92.5	50.5
DN65	DN40	64.0	76.0	50.5
	DN50	64.0	76.0	50.5
DN80	DN40	91.0	124.5	50.5
	DN50	91.0	93.5	64.0
DN100	DN50	106.0	137.5	64.0
	DN65	106.0	97.2	91.0
DN125	DN65	119.0	150.0	91.0
	DN80	119.0	108.5	106.0
DN150	DN80	145.0	177.0	106.0
	DN100	145.0	124.5	119.0
DN150	DN100	167.0	193.0	119.0
	DN125	167.0	124.5	145.0



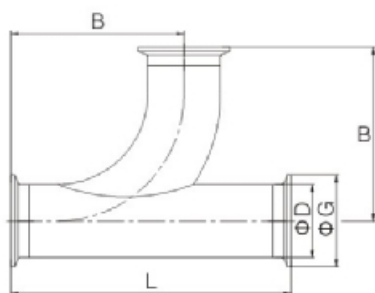
卡箍管件

Clamped pipe fittings

R型弯头-卡箍三通 -(推荐系列) R-type elbow/clamped tee (recommended)

执行标准Executive standard: 3A; 适用于Applied for: AS、BS、3A、SMS/DS、ISO

货号代码Code : F0401A8

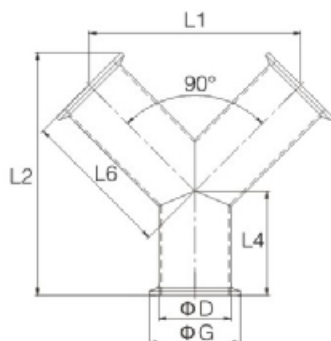


SIZE	尺寸		
	L	B	G
1	145.4	93.7	50.5
1.25	160.4	102.7	50.5
1.5	175.4	112.7	50.5
2	205.4	130.7	64.0
2.5	265.4	164.7	77.5
3	295.4	182.7	91.0
4	371.6	224.8	119.0
5	483.0	291.5	145.0
6	543.0	331.5	167.0

Y型-卡箍三通 -(推荐系列) Y-type elbow/clamped tee (recommended)

执行标准Executive standard: 3A; 适用于Applied for: AS、BS、3A、SMS/DS、ISO

货号代码Code : F0401A6

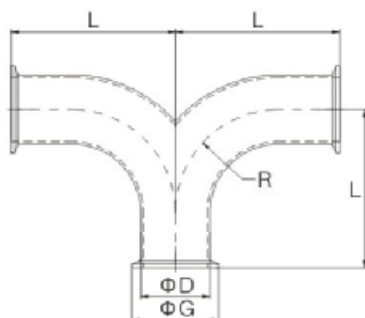


SIZE	尺寸			
	L1	L2	L4	L6
Φ D				
25.4	106.0	102.6	31.7	74.9
31.8	126.0	118.3	36.5	90.5
38.1	150.0	134.0	41.2	106.0
50.8	194.0	169.3	49.7	137.2
63.5	238.0	205.6	59.2	168.3
76.2	282.0	242.0	68.8	199.4
101.6	374.4	320.0	90.9	264.7
127.0	389.4	483.0	237.1	275.4
152.4	460.4	571.0	281.6	325.6

T型弯头-卡箍三通 -(推荐系列) T-type elbow/clamped tee (recommended)

执行标准Executive standard: 3A; 适用于Applied for: AS、BS、3A、SMS/DS、ISO

货号代码Code : F0401A0

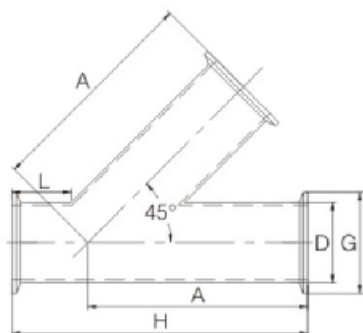


SIZE	尺寸		
	L	R	G
Φ D			
25.4	77.7	38.1	50.5
38.1	97.7	57.2	50.5
50.8	122.7	76.2	64.0
63.5	147.7	95.3	77.5
76.2	167.7	114.3	91.0
101.6	210.8	152.4	119.0

45° -Y型三通 -(推荐系列) 45° Y-type tee (recommended)

执行标准Executive standard: 3A; 适用于Applied for: AS、BS、3A,SMS/DS、ISO

货号代码Code : F0401B2



SIZE	内外抛光		尺寸				AS/BS	DS/SMS
	304	316L	总长	高度	直端长度	ΦD	/3A	/ISO
			H	A	L		壁厚	壁厚
1"	NO	NO	187.4	139.7	42.4	25.4	1.65	1.5
1.5"	NO	NO	220.6	169.9	42.8	38.1	1.65	1.5
2"	NO	NO	245.9	192.7	42.7	50.8	1.65	1.5
2.5"	NO	NO	289.4	228.7	47.5	63.5	1.65	2
3"	NO	NO	291.4	228.7	46.9	76.2	1.65	2
4"	NO	NO	367.1	288.8	55.3	101.6	2.1	2



夹套保温管件 Jacketed insulation fittings

注意：
A=默认表面：1)外亚光、内镜面；
B=选型表面：1)内外镜面；
C=选型表面：3)喷砂表面。

保温-弯头(两头连接为卡箍) Insulation elbow (both clamped ends)

适用于Suitable for: INCH&DIN



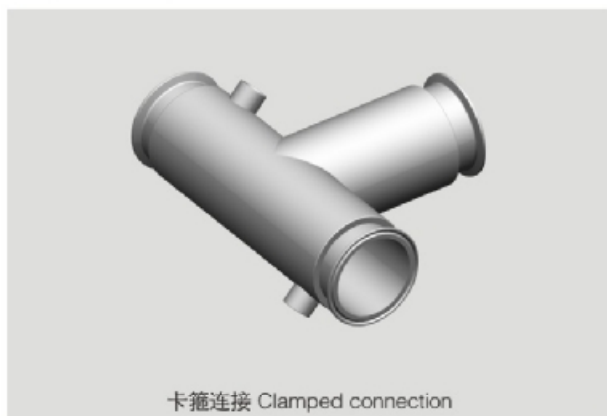
保温-弯头(两头连接为对焊) Insulation elbow (both welded ends)

适用于Suitable for: INCH&DIN



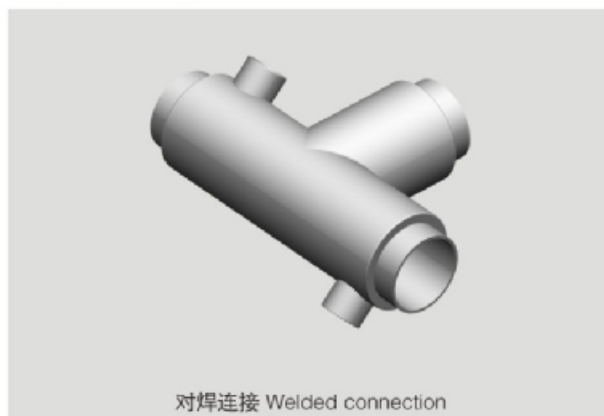
保温-三通(三头连接为卡箍) Insulation tee (triple clamped ends)

适用于Suitable for: INCH&DIN



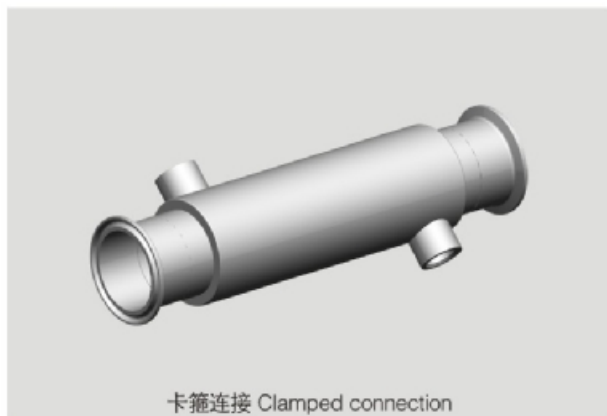
保温-三通(三头连接为对焊) Insulation tee (triple welded ends)

适用于Suitable for: INCH&DIN



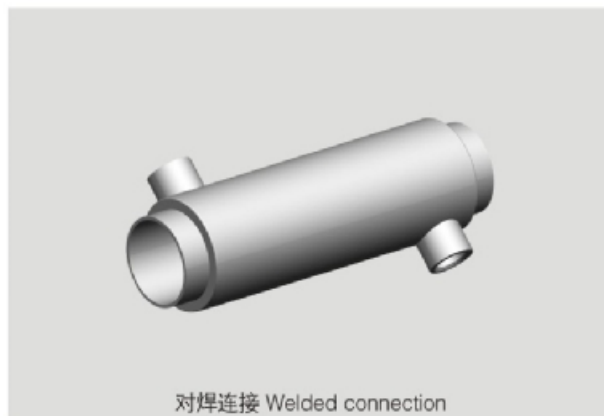
保温-直管(两头连接为卡箍) Insulation straight pipe (both clamped ends)

适用于Suitable for: INCH&DIN



保温-直管(两头连接为对焊) Insulation straight pipe (both welded ends)

适用于Suitable for: INCH&DIN



其他管件 Other fittings

Note:

Normal surface: 1) External matte, internal mirror polishing

Optional surface: 1) Internal & external mirror polishing

Optional surface: 3) Sandblasting

两头螺纹-弯头 Elbow/both threaded ends

适用于Suitable for: 3A-SMS-DS-ISO-IDF-RJT-DIN



两头螺母-弯头 Elbow/both nut ends

适用于Suitable for: 3A-SMS-DS-ISO-IDF-RJT-DIN



单头螺母-单头螺纹-弯头 Elbow/one nut end and one threaded end

适用于Suitable for: 3A-SMS-DS-ISO-IDF-RJT-DIN



其他管件 Other fittings

单头螺纹-单头焊接-弯头 Elbow/one threaded end and one welded end

适用于 Suitable for: 3A-SMS-DS-ISO-IDF-RJT-DIN



单头螺母-单头对焊-弯头 Elbow/one nut end and one welded end

适用于 Suitable for: 3A-SMS-DS-ISO-IDF-RJT-DIN



两端法兰-弯头 Elbow/both flanged ends

适用于 Suitable for: INCH-DIN



两端无菌法兰-弯头 Elbow/both aseptic flanged ends

适用于 Suitable for: INCH-DIN



单头法兰-弯头 Elbow/single flanged ends

适用于Suitable for: INCH-DIN



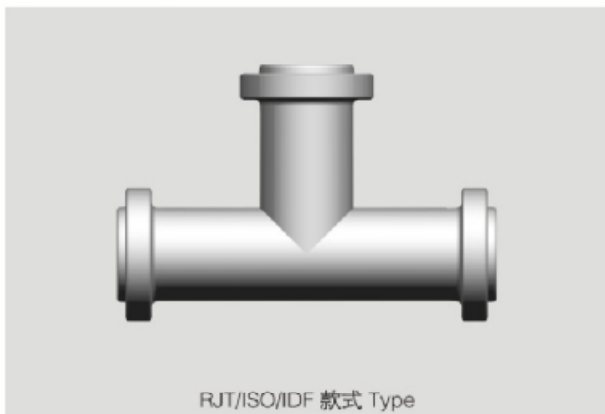
单头无菌法兰-弯头 Elbow/single aseptic flanged ends

适用于Suitable for: INCH-DIN

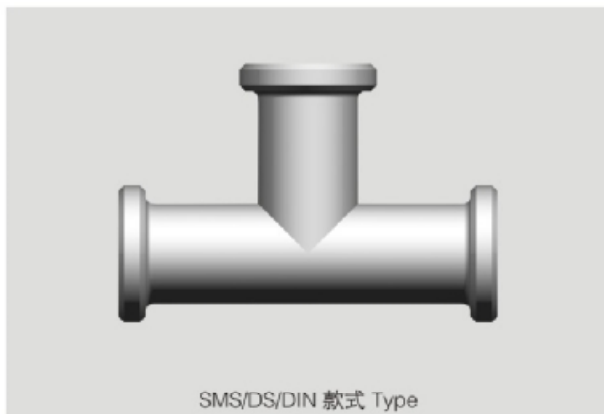


三头螺纹-三通 Tee/triple threaded ends

适用于Suitable for: 3A-SMS-DS-ISO-IDF-RJT-DIN



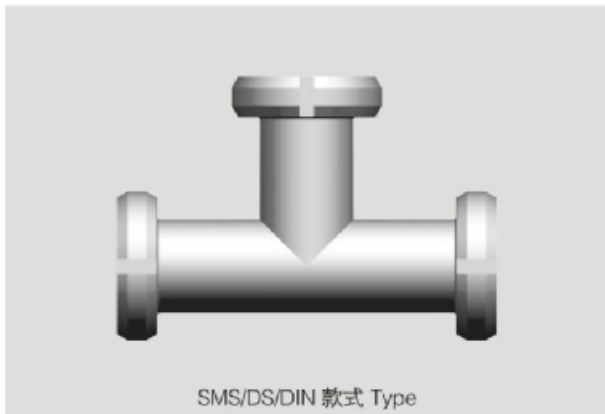
RJT/ISO/IDF 款式 Type



SMS/DS/DIN 款式 Type

三头螺母-三通 Tee/triple nut ends

适用于Suitable for: 3A-SMS-DS-ISO-IDF-RJT-DIN



SMS/DS/DIN 款式 Type



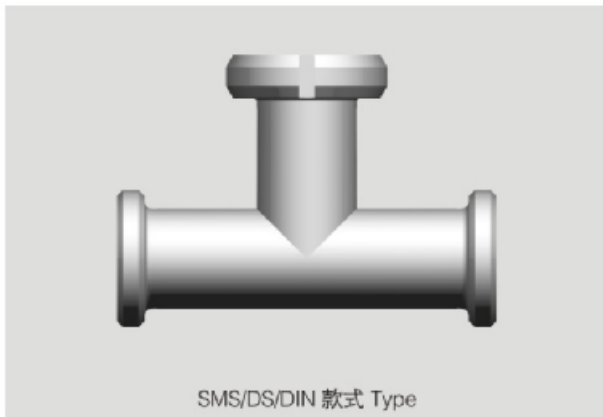
RJT/ISO/IDF 款式 Type

注意: RJT/ISO/IDF螺母: 1)圆形螺母; 2)六角螺母, 根据需要选择。
Note: RJT/ISO/IDF nut: 1) Round nut; 2) Hex nut, choose as required

其他管件 Other fittings

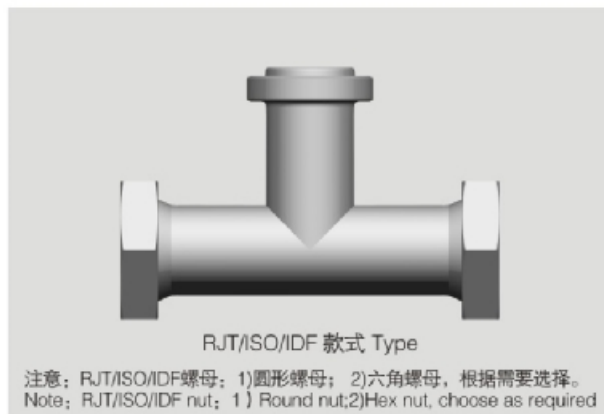
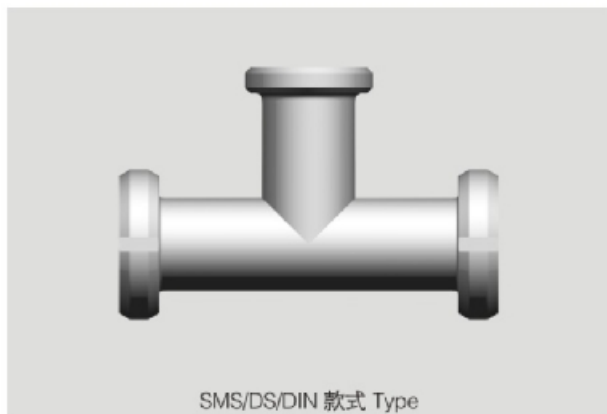
单头螺母-两头螺纹-三通 Tee/both threaded ends and middle nut end

适用于 Suitable for: 3A-SMS-DS-ISO-IDF-RJT-DIN



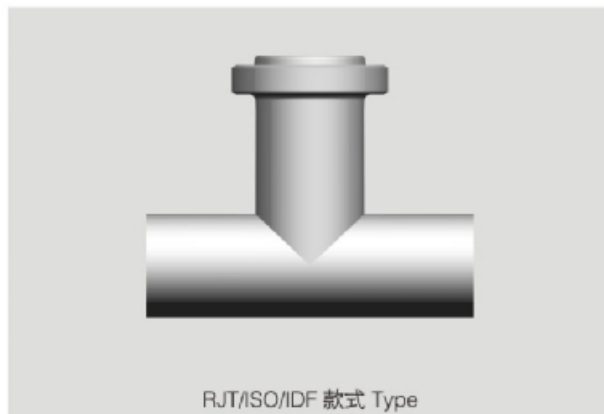
两头螺母-单头螺纹-三通 Tee/both nut ends and middle threaded end

适用于Suitable for: 3A-SMS-DS-ISO-IDF-RJT



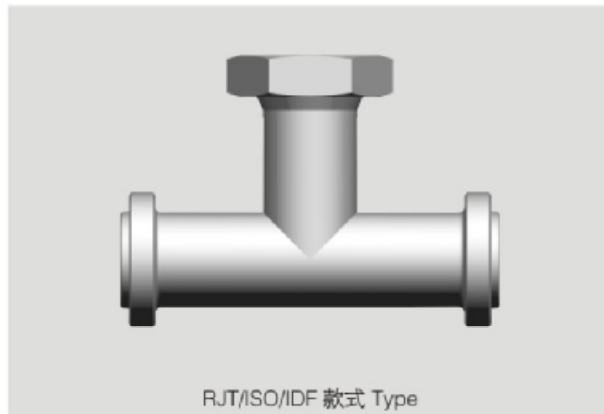
单头螺纹-三通 Tee/middle threaded end

适用于Suitable for: 3A-SMS-DS-ISO-IDF-RJT-DIN



单头螺母-两头螺纹-三通 Tee/both threaded ends and middle nut end

适用于Suitable for: 3A-SMS-DS-ISO-IDF-RJT-DIN

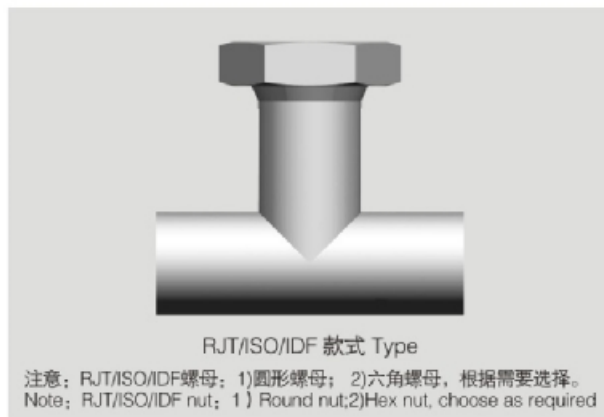
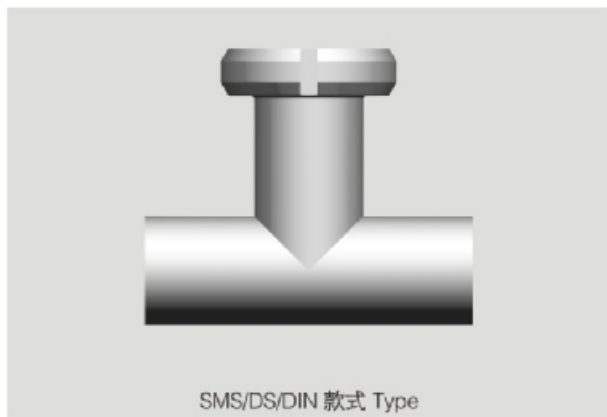


其他管件 Other fittings

注意：单头螺母可任意在那一通道。

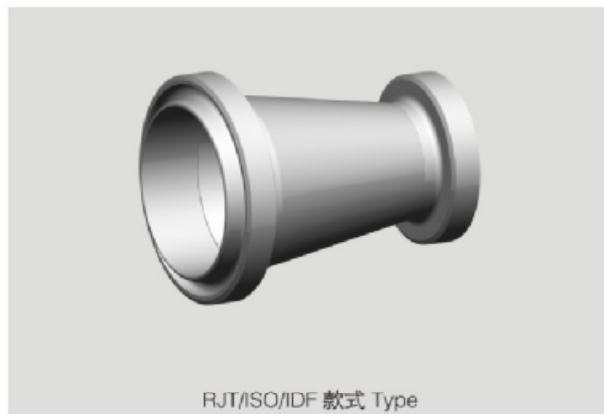
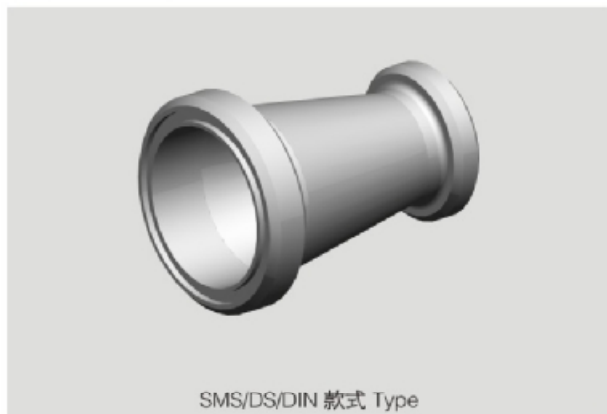
单头螺母-三通 Tee/middle nut end

适用于Suitable for: 3A-SMS-DS-ISO-IDF-RJT-DIN



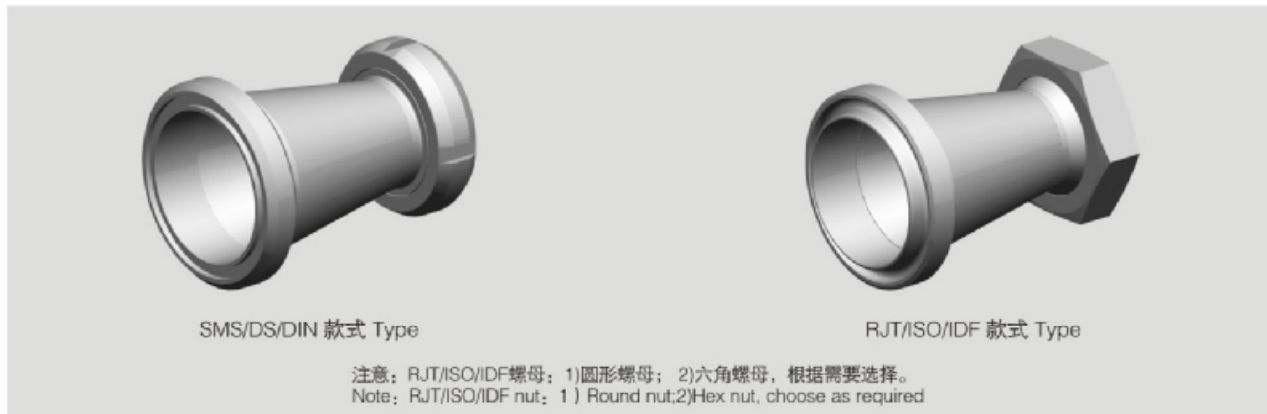
两头螺纹-同心大小头和偏心大小头 Concentric reducer and eccentric reducer/both threaded ends

适用于Suitable for: 3A-SMS-DS-ISO-IDF-RJT-DIN



单头螺纹-单头螺母-同心大小头和偏心大小头 Concentric reducer and eccentric reducer/one threaded end and one nut end

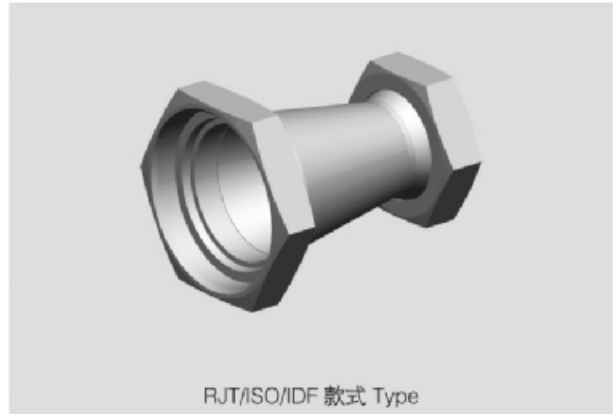
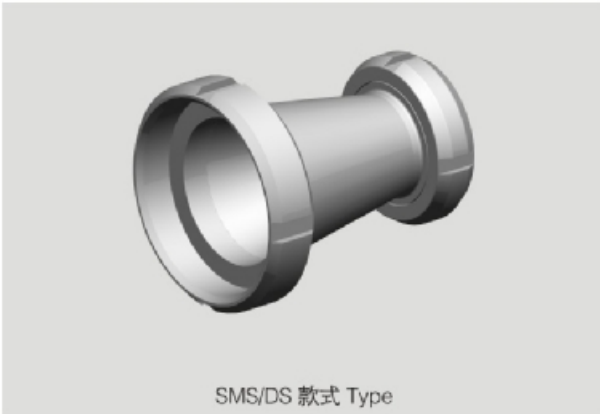
适用于Suitable for: 3A-SMS-DS-ISO-IDF-RJT-DIN



Note: single nut end could be in each port

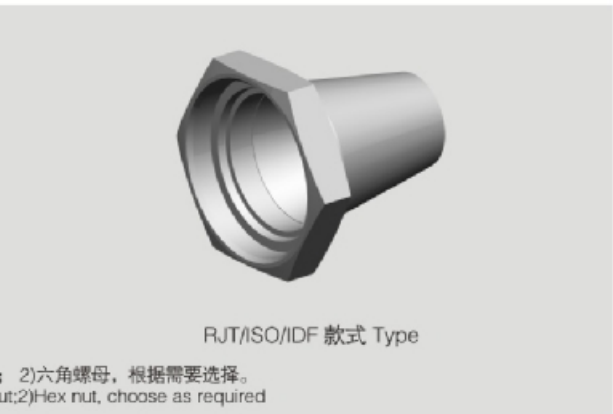
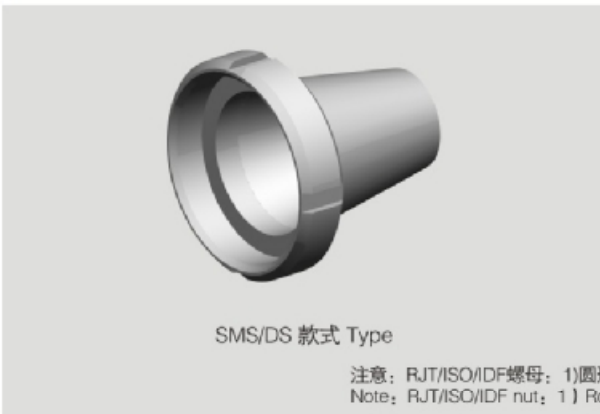
两头螺母-同心大小头和偏心大小头 Concentric reducer and eccentric reducer/both nut ends

适用于Suitable for: 3A-SMS-DS-ISO-IDF-RJT-DIN



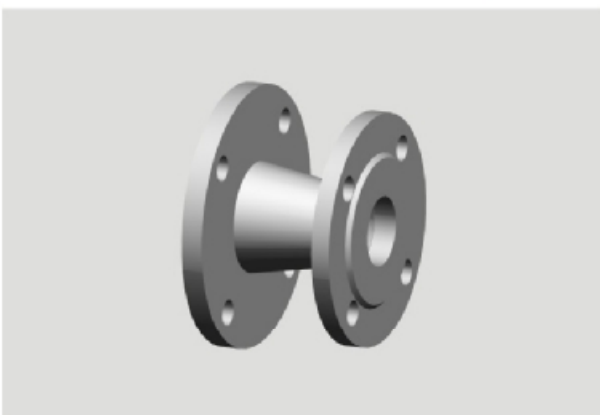
单头螺母-单头对焊-同心大小头和偏心大小头 Concentric reducer and eccentric reducer/one nut end and one welded end

适用于Suitable for: 3A-SMS-DS-ISO-IDF-RJT-DIN

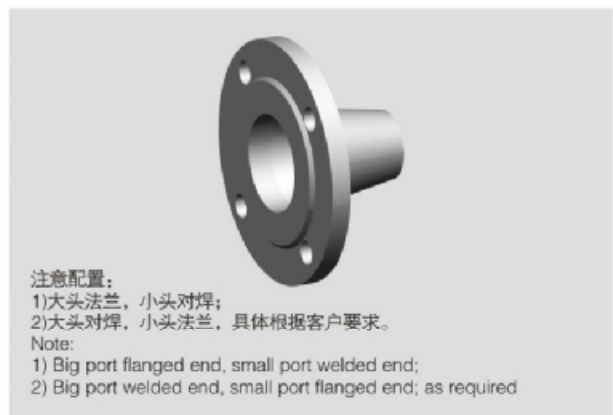


注意: RJT/ISO/IDF螺母: 1)圆形螺母; 2)六角螺母, 根据需要选择。
Note: RJT/ISO/IDF nut: 1) Round nut; 2) Hex nut, choose as required

两头法兰-同心大小头和偏心大小头 Concentric reducer and eccentric reducer/both flanged ends



单头法兰-同心大小头和偏心大小头 Concentric reducer and eccentric reducer/single flanged ends





CHINA DONJOY TECHNOLOGY CO.,LTD.

DONJOY looking forward to your visit! Your telecommunications!



中国·东正 科技有限公司

温州空港新区：
温州通海大道港富路25号
总机：0577-86990888
传真：0577-86998000

Wenzhou airport Area:
No.25 Gangfu Road,Tonghai Avenue,
wenzhou
Tel: +86-577-86990888
Fax: +86-577-86998000
E-mail: donjoy@cndonjoy.com

www.cndonjoy.com

法律声明：

目录样册版本属东正所有，如有抄袭东正将追究其法律责任和经济赔偿。东正已获得国家版权局书刊号。东正众多技术设计，都具有专利保护，如有抄袭，东正必将追究法律责任和经济赔偿。